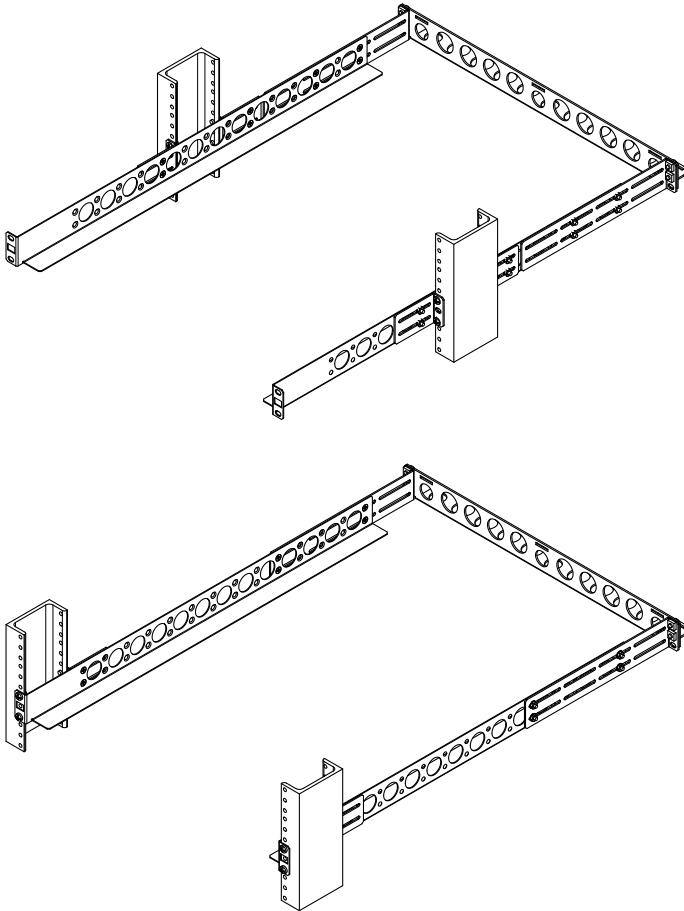


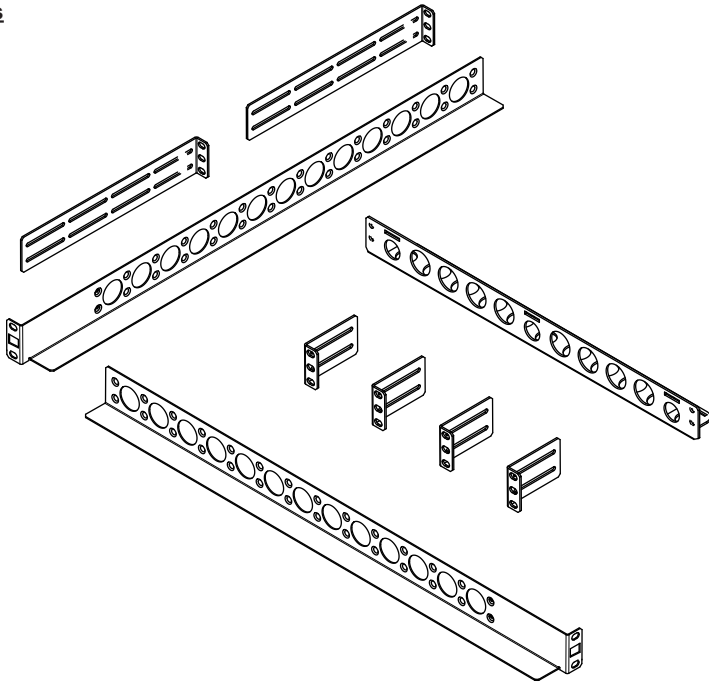
Fixed Rack Rails for 2Post Center Racks & 2Post Flush Racks



Installation Instructions
Kit P/N: 1UKIT-009

Kit Contents

Metal Parts



Assembly Hardware:

- (16) 8-32 Flat Head Screws
- (16) 8-32 Nuts

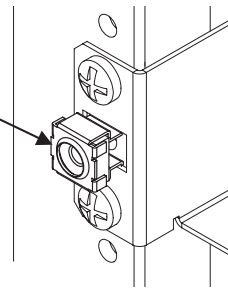
Rack Hardware:

- (12) 12-24 Nuts
- (12) 10-32 Pan Head Screws
- (12) 12-24 Pan Head Screws
- (12) 12-24 Cage Nuts "Black"

Cage Nut installed
"Backwards" in the front rail
flange for Thumb Screw
Support (If Needed)

Cage Nuts:

- (2) 10-32 Cage Nuts "Silver"
- (2) M-6 Cage Nuts "Yellow"
- (2) 12-24 Cage Nuts "Black"



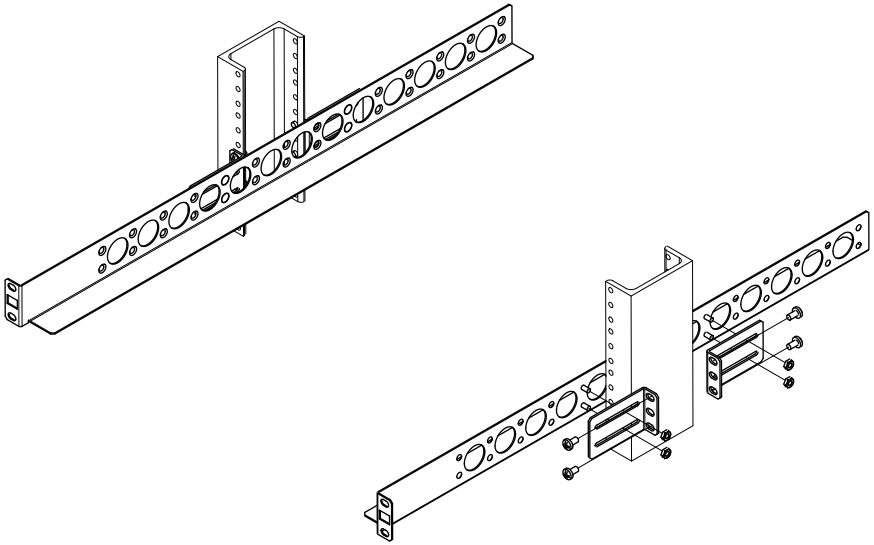
Rack Mount Hardware

The Rack Hardware Kit provides various screws and nuts for the four most common types of racks.

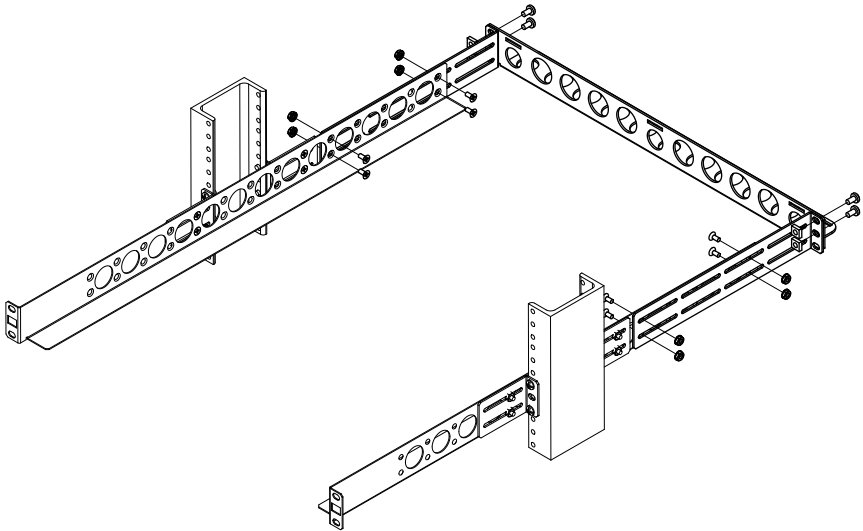
- Square Hole Racks: Install (2) Cage Nuts on each rack post in the top and bottom holes of the 1U space. Attach with the larger 12-24 Screws.
- 12-24 Threaded Racks: Attach with the larger 12-24 Screws. Use (2) screws on each rack post.
- 10-32 Threaded Racks: Attach with the smaller 10-32 Screws. Use (2) screws on each rack post.
- Round Hole Racks (non-threaded): Attach with the larger 12-24 Screws and the square nuts. Use (2) screws and (2) nuts on each rack post.

Center Mount Installation Instructions

Step 1. Attach Rails to Rack: Install as shown below.

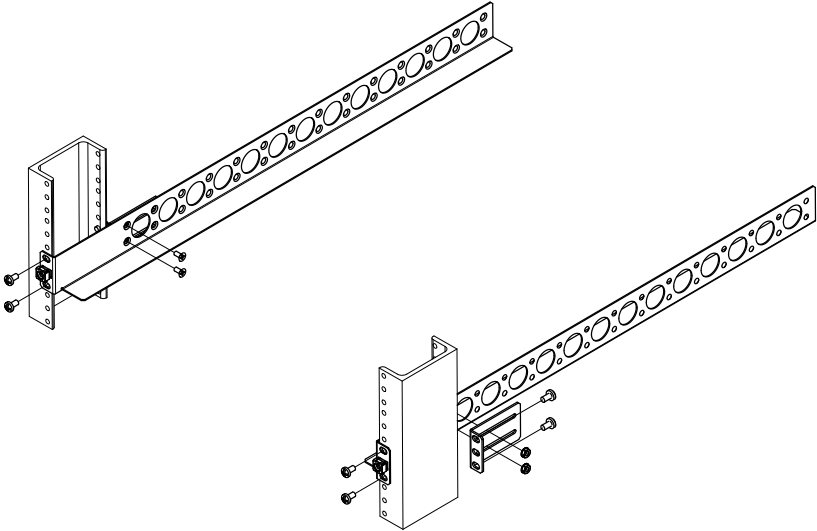


Step 2. Attach cable management bar (optional).

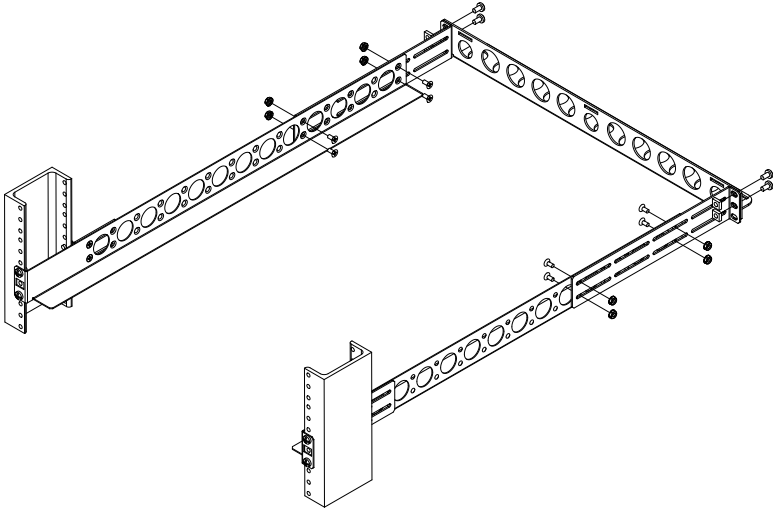


Flush Mount Installation Instructions

Step 1. Attach Rails to Rack: Install as shown below.



Step 2. Attach cable management bar: (optional).



Warranty Statement

Innovation First, Inc. warrants our products against defects in material and workmanship for a period of one (1) year from the date of purchase. Innovation First, Inc. liability shall be limited to repairing or replacing, at our option, any defective product.