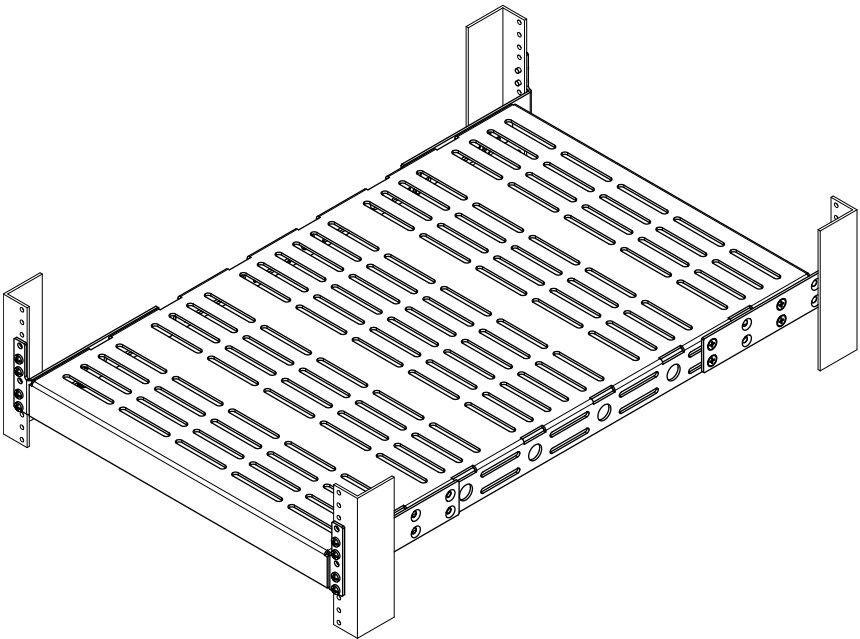


## Heavy Duty Fixed Shelf for 4Post Racks



Installation Instructions

Kit P/N: 1USHL-116

# Kit Contents

## Assembly Hardware:

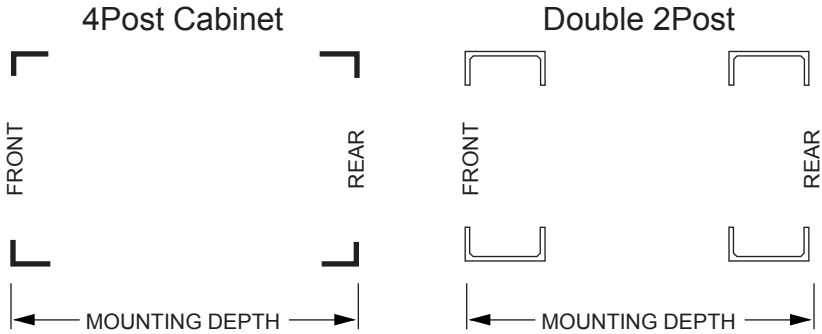
- (16) 1/4-20 Flat Head Screws
- (16) 1/4-20 Nuts

## Rack Hardware:

- (16) 12-24 Nuts
- (16) 10-32 Pan Head Screws
- (16) 12-24 Pan Head Screws
- (16) 12-24 Cage Nuts "Black"

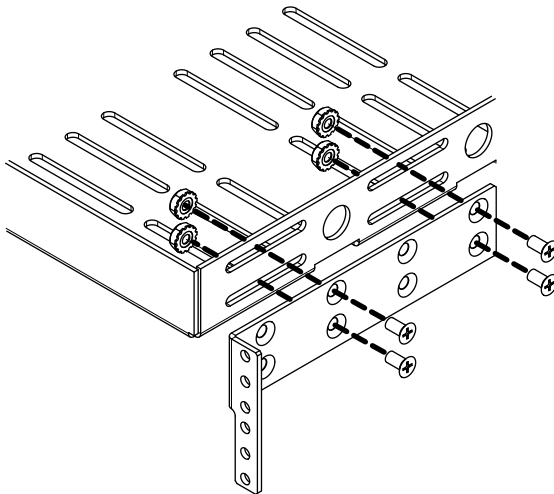
# Installation Instructions

**Step 1. Mounting Depth:** Measure the “**Mounting-Depth**” for your rack from the front of the “**Front-Mounting-Surface**” to the back of the “**Back-Mounting-Surface**”.



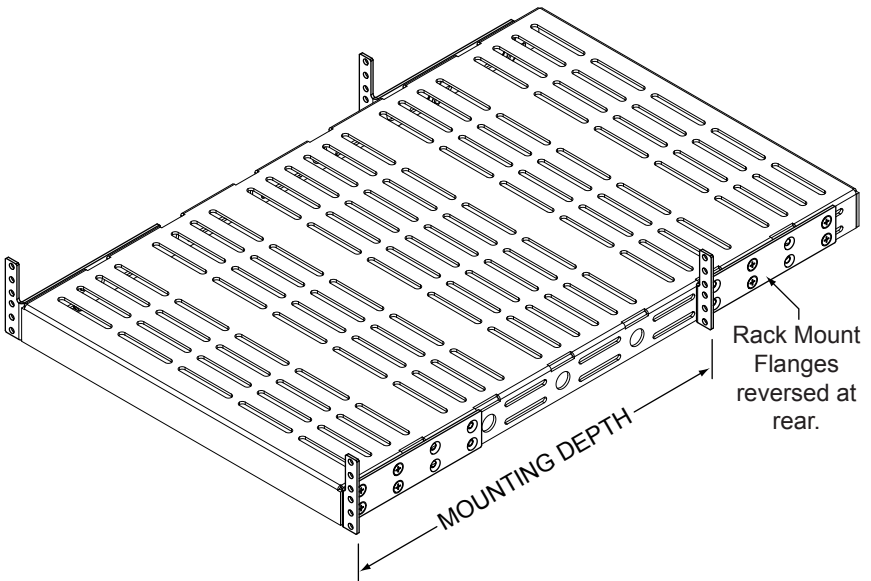
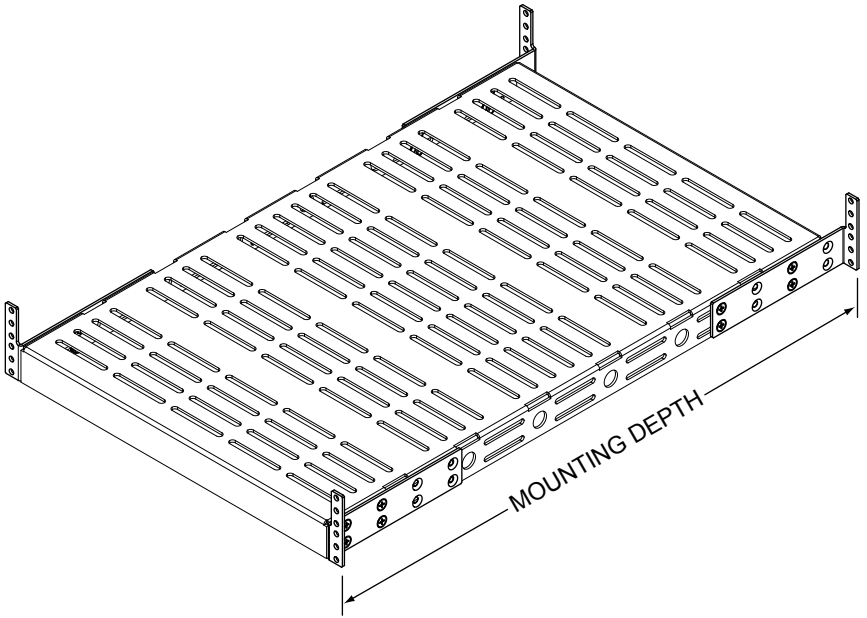
**Step 2. Attach Rack Mount Flanges:** Attach each Rack Mount Flange to the Shelf using (4) 1/4-20 Screws and (4) 1/4-20 Nuts. The Flanges may be located as needed at the front and rear. Use any four holes in the Flange that align with the slots in the Shelf.

See Step 3 for two possible flange variations depending on your rack depth.

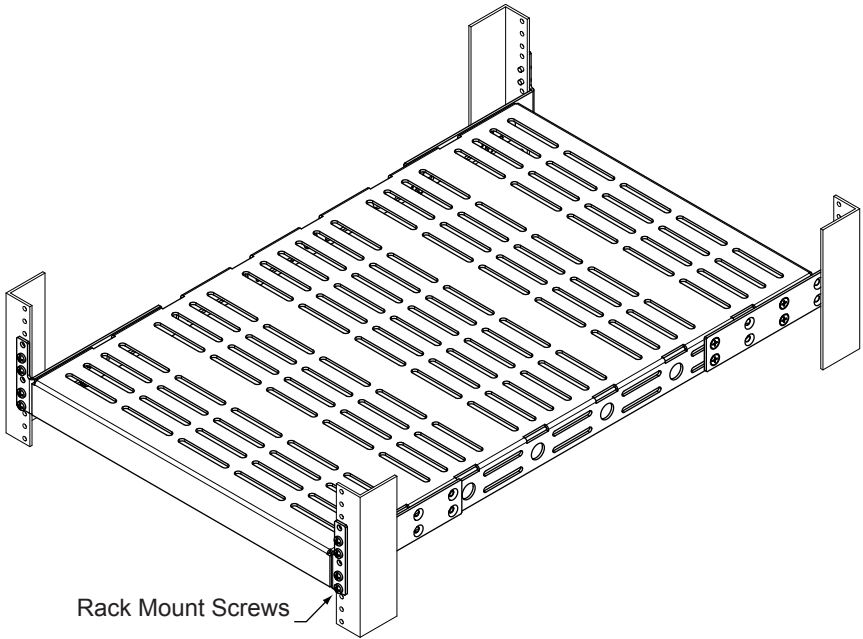


# Installation Instructions

**Step 3. Mounting Depth:** Be sure to position the Rack Mount Flanges to match your racks "MOUNTING DEPTH". Two variations of the Rear Flanges are shown below.



**Step 4.** Attach the shelf to the rack using the appropriate hardware: (See Rack Mount Hardware below). Use at least (4) screws per Rack Mount Flange.



## Rack Mount Hardware

The Rack Hardware Kit provides various screws and nuts for the four most common types of racks.

- Square Hole Racks: Install (4) Cage Nuts on each rack post in the top and bottom holes of the 2U space. Attach with the larger 12-24 Screws.
- 12-24 Threaded Racks: Attach with the larger 12-24 Screws. Use (4) screws on each rack post.
- 10-32 Threaded Racks: Attach with the smaller 10-32 Screws. Use (4) screws on each rack post.
- Round Hole Racks (non-threaded): Attach with the larger 12-24 Screws and the square nuts. Use (4) screws and (4) nuts on each rack post.

### Warranty Statement

Innovation First, Inc. warrants our products against defects in material and workmanship for a period of one (1) year from the date of purchase. Innovation First, Inc. liability shall be limited to repairing or replacing, at our option, any defective product.