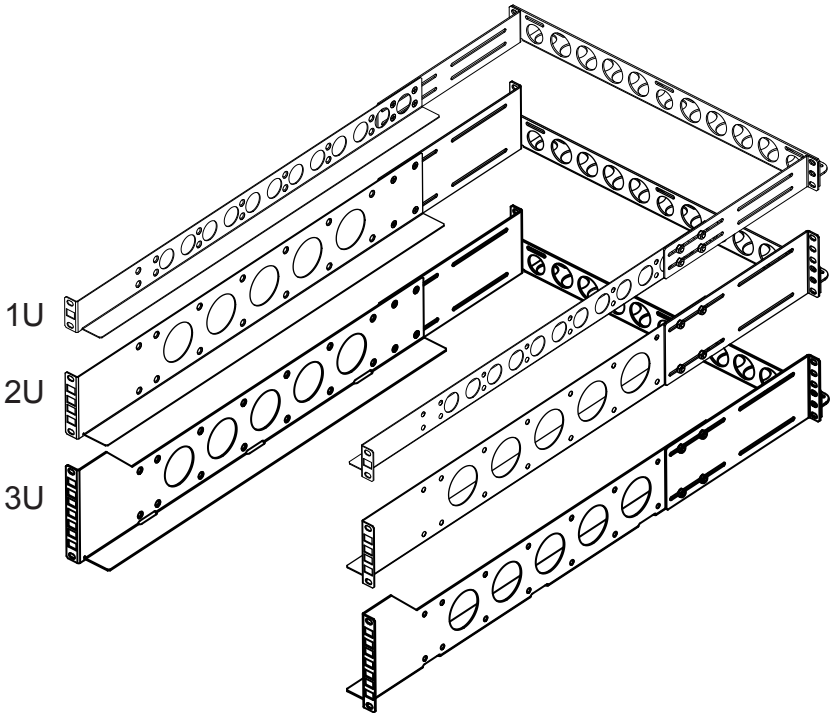


Adjustable Fixed Rails for 19" 4Post Racks



Installation Instructions

Kit P/N: 1UKIT-109 1UKIT-109-20 1UKIT-109-31
2UKIT-109 2UKIT-109-20 2UKIT-109-31
3UKIT-109 3UKIT-109-20 3UKIT-109-31
109-2469

Kit Contents

Components:

- (1) Left Fixed Rail
- (1) Right Fixed Rail
- (2) Rear Brackets
- (1) Cable Crossbar
- (1) 30" Velcro Cable Tie

Assembly Hardware Kit:

- (8) 8-32 Flat Head Screws
- (8) 8-32 Nuts

Cage Nuts for Equipment Thumb Screws:

- (2) 10-32 Cage Nuts "Silver" (Dell Standard)
- (2) 12-24 Cage Nuts "Black"
- (2) M6 Cage Nuts "Gold" (HP-Compaq Standard)

Rack Hardware Kit (2 bags):

- (12) 10-32 Pan Head Screws
- (12) 12-24 Pan Head Screws
- (12) 12-24 Cage Nuts
- (12) 12-24 Square Nuts

Rack Hole Type	Hardware Used
Square	Install the "Black" Cage Nuts in the appropriate square holes. Attach the rails with the (larger) 12-24 screws.
Threaded	Use the appropriate screw: (larger) 12-24 or (smaller) 10-32.
Non-Threaded	Use the (larger) 12-24 Screws and the square nuts.

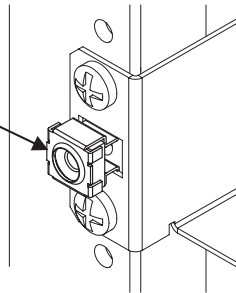
Thumb Screw Support (Optional)

Some equipment has Thumb Screws on the right and left side of the front panel. These Thumb Screws are used to secure the equipment in the rack. This kit supports the common Thumb Screw threads.

1. Dell Equipment installed in 10-32 Threaded Racks will support Thumb Screws with no additional effort.
2. For Square Hole Racks, install the appropriate "Color Coded" Cage Nuts as normal in the square hole that aligns with the Thumb Screw.
3. For All Round Hole Racks, install the appropriate size cage nut "backwards" in the front rail flanges (see below) in the square hole that aligns with the Thumb Screw.

Thumb Screws Threads: Generic Equipment: Use the "Black" 12-24 Cage Nuts
Dell Equipment: Use the "Silver" 10-32 Cage Nuts
HP-Compaq Equipment: Use the "Gold" M6 Cage Nuts

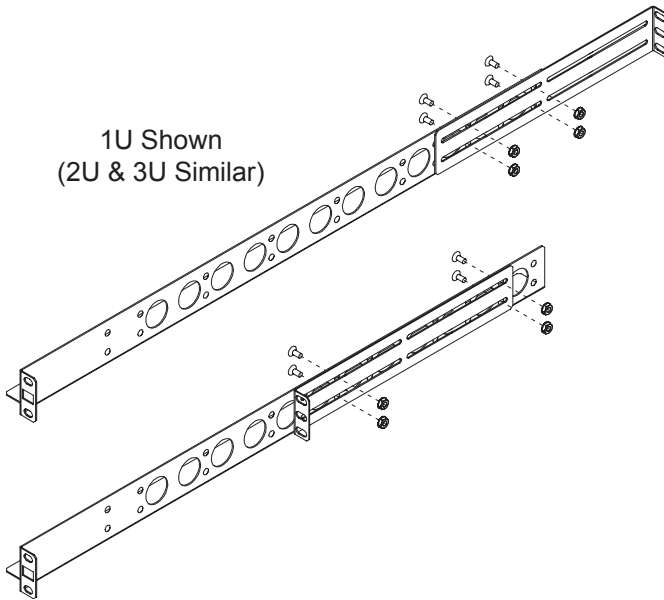
Cage Nut installed "Backwards"
in the front rail flange for Thumb
Screw Support



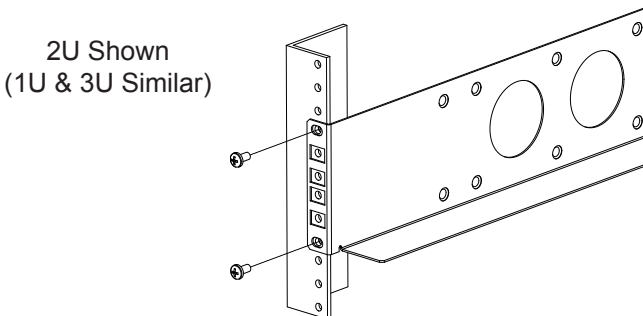
Installation Instructions

- Step 1. Rail Assembly:** Attach the Rear Brackets to each Fixed Rail using (4) 8-32 Flat Head Screws and (4) 8-32 Nuts. Always install the (4) screws and nuts as widely spaced as possible.

There are multiple ways to orient the Rear Brackets as shown below.



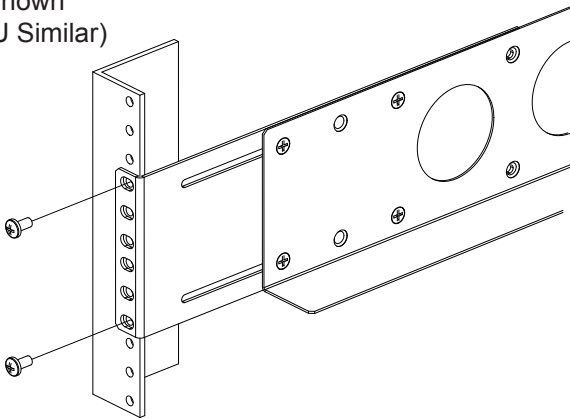
- Step 2. Front Rack Attachment:** Attach the front of each Fixed Rail to the rack using hardware from the Rack Hardware Kit (see Page 2).



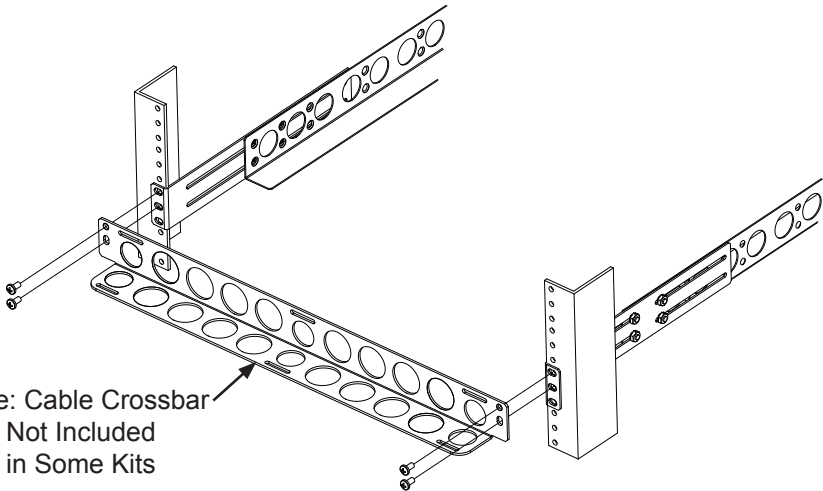
Installation Instructions

Step 3. Rear Rack Attachment: Attach the back of each Fixed Rail to the rack using hardware from the Rack Hardware Kit (see Page 2).

2U Shown
(1U & 3U Similar)



Step 4. Cable Crossbar Attachment: Attach the Cable Crossbar to the rack using hardware from the Rack Hardware Kit (see Page 2). The Cable Crossbar can be co-located with the Fixed Rails (as shown below). The Cable Crossbar can be installed in other locations as needed.



Note: Cable Crossbar
Not Included
in Some Kits

Warranty Statement

Innovation First, Inc. warrants our products against defects in material and workmanship for a period of one (1) year from the date of purchase. Innovation First, Inc. liability shall be limited to repairing or replacing, at our option, any defective product.