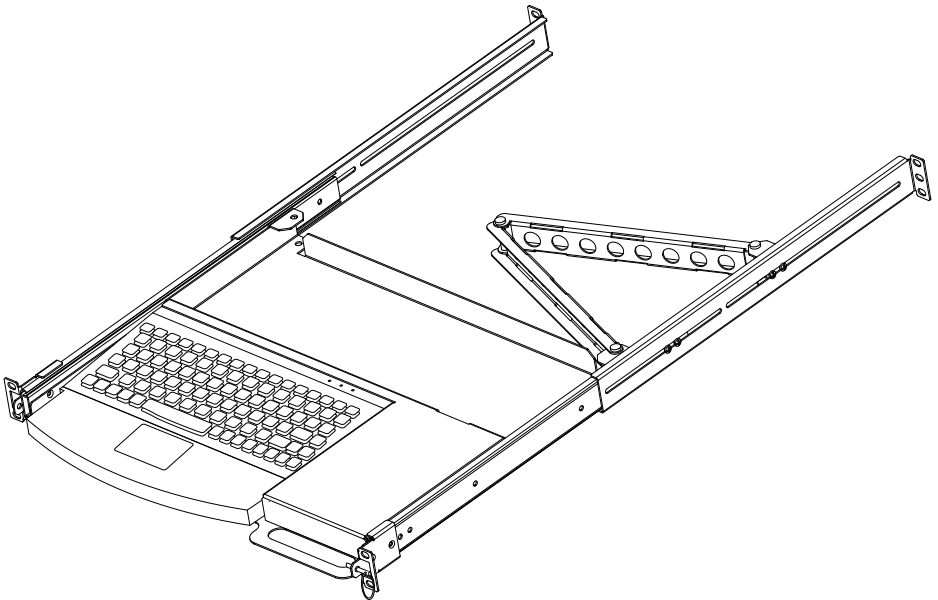


## Rack Mount Keyboard Tray



### Installation Instructions

Kit P/N: 1UKYB-126-USB

Kit P/N: 1UKYB-126-PS2

# Kit Contents

---

- (1) Partially Assembled Shelf
- (1) Mini Black Keyboard (USB or PS2)
- (2) Rear Brackets
- (1) Cable Management Bracket
- (2) Cable Management Arms

## Rack Mount Hardware Kit:

- (8) 12-24 x 1/2" Pan Head Screws Zinc
- (8) 10-32 x 1/2" Pan Head Screws
- (8) 12-24 Cage Nuts
- (8) 12-24 Square Nuts

## Assembly Hardware Kit:

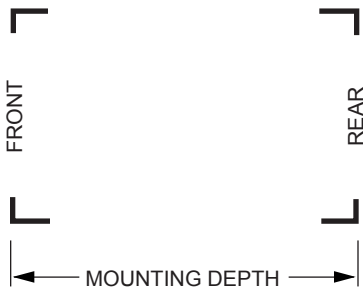
- (6) 8-32 x 3/8" Phil Flat Screws
- (6) 8-32 Nuts
- (1) 30" Velcro
- (1) 11/16" Cotterless Hitch Pin with Pull Ring
- (3) 1/4" x 1 3/8" Clevis Pin
- (3) .059" x 1 1/8" Cotter Pin

# Installation Instructions (4 Post)

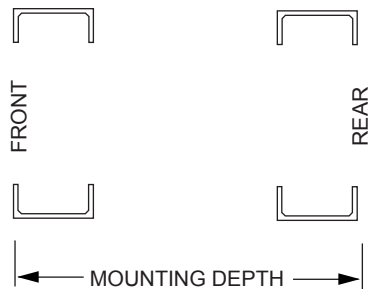
---

- Step 1. Mounting Depth:** Measure the "Mounting-Depth" for your rack from the front of the "Front-Mounting-Surface" to the back of the "Back-Mounting-Surface".  
For 4Post racks go to Page 3.  
For 2Post Flush racks go to Page 4.

4Post Cabinet



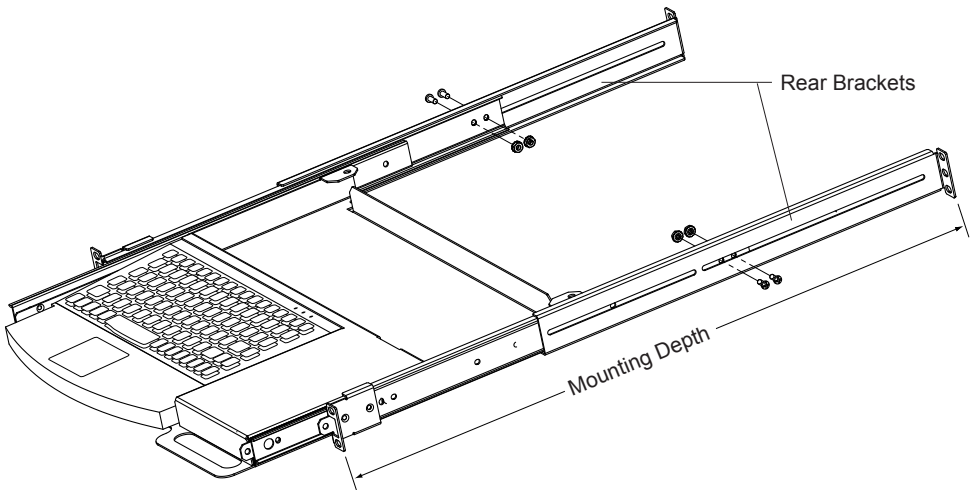
Double 2Post



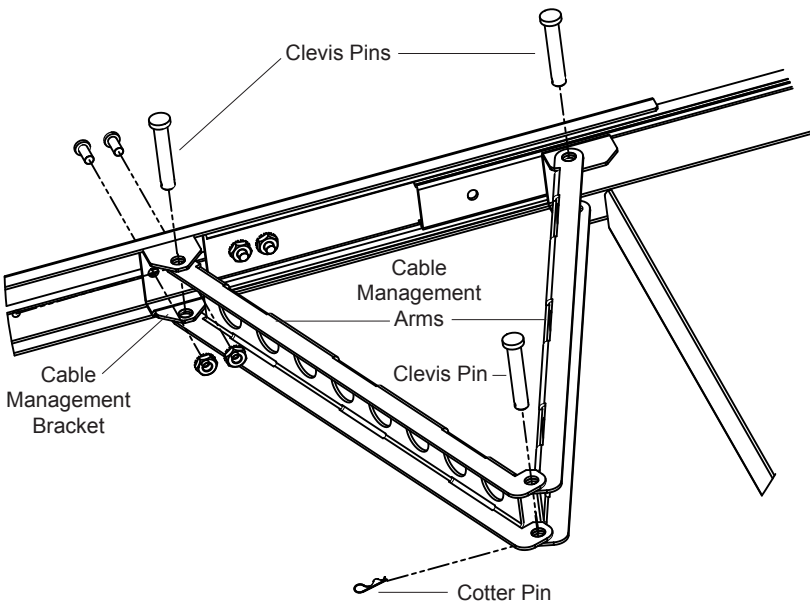
# Installation Instructions (4Post)

**Step 2. Adjust Depth:** Adjust the rear brackets to fit your rack mounting depth and attach to slide rails using (4) 8-32 screws and (4) 8-32 nuts.

Note: You must extend the slide rails to install the nuts.



**Step 3. Attach Cable Management:** Cable Management can be mounted on either side of shelf. Attach the cable management bracket using (2) 8-32 screws and (2) 8-32 nuts. Using cotter pins and clevis pins, attach in desired configuration. Proceed to Final Assembly on page 4.

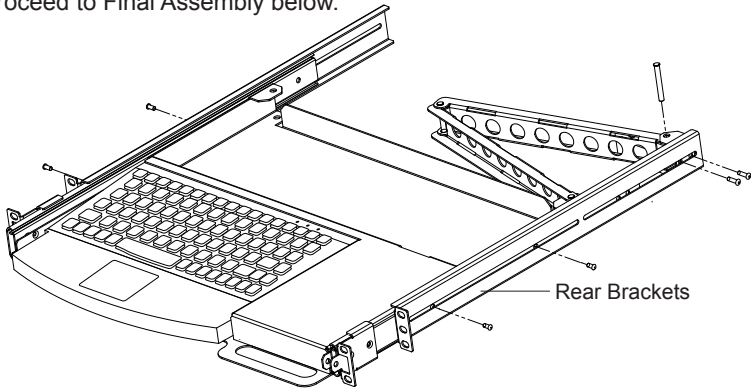


## Installation Instructions (2 Post Flush)

---

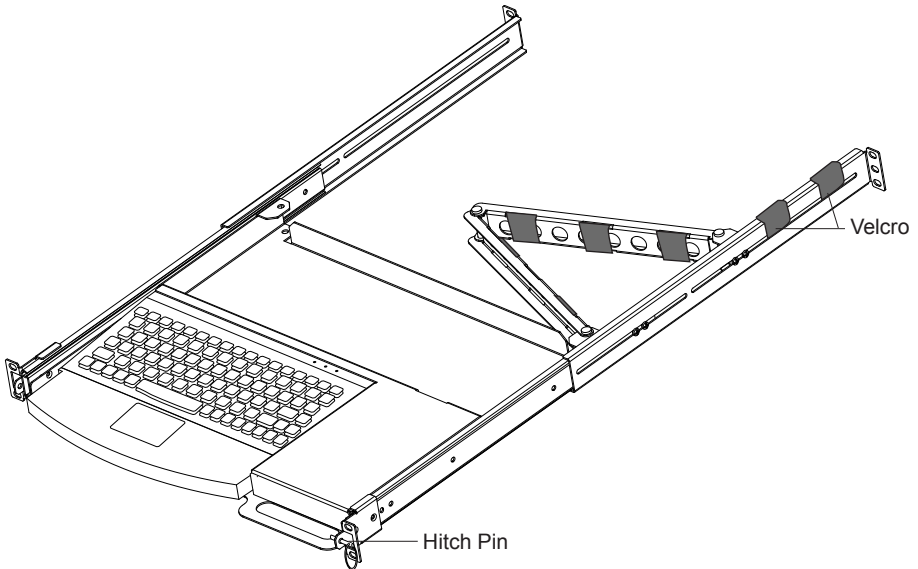
- Step 1.** Set Up for 2Post Flush: Rotate rear brackets 90° and mount and attach cable management as shown below (see Cable Management step 3) to mount in 2post flush configuration.

Proceed to Final Assembly below.



## Final Assembly

---



### Warranty Statement

Innovation First, Inc. warrants our products against defects in material and workmanship for a period of one (1) year from the date of purchase. Innovation First, Inc. liability shall be limited to repairing or replacing, at our option, any defective product.