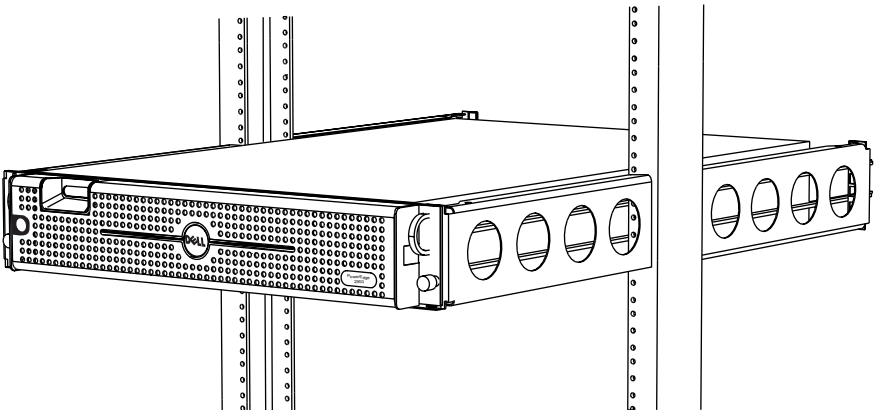


2 Post 2U Conversion Kit for Dell PowerEdge 2950



Installation Instructions
Kit P/N: 2POST-2UKIT-2950

2POST-2UKIT-2950 Contents

Kits Contents:

(4) 2U Conversion Brackets (13" Long)

Alignment Hardware:

(4) Alignment Washers

(4) Truss Head Screws

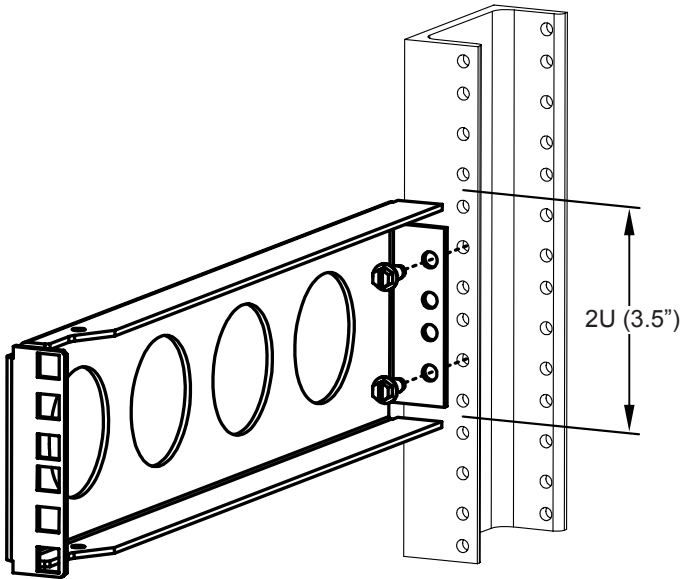
Rack Mount Hardware Kit:

(12) 12-24 x 1/2" Bolts

(8) 12-24 Cage Nuts

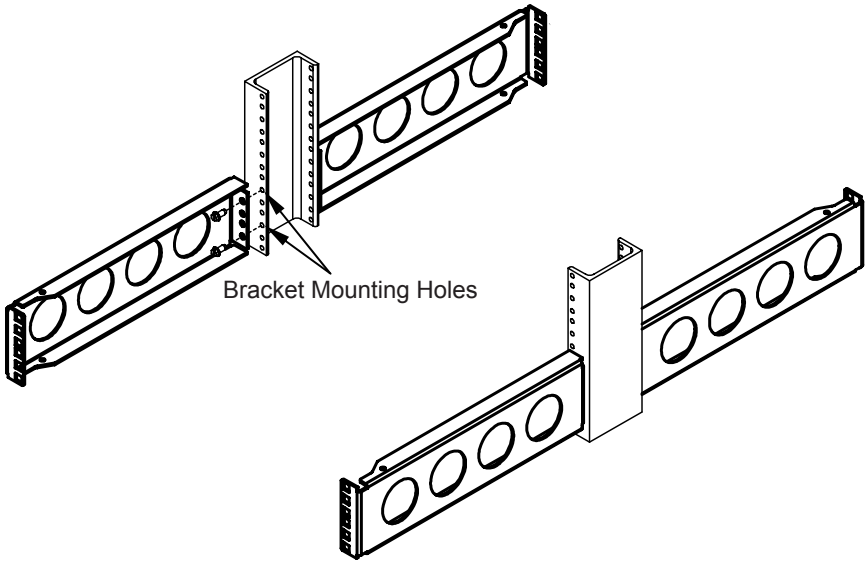
Bracket Location

- Step 1.** Select the location of the Rack Mount equipment: 2U Rackmount equipment occupies 3.5" of rack space (six holes).
- Step 2.** Locate the mounting holes per the diagram below.

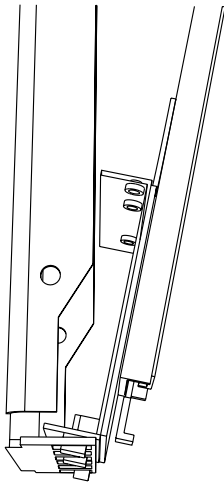


Installation Instructions

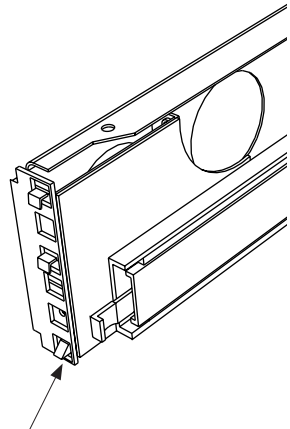
Step 3. Screw (4) brackets to the rack using (2) bolts for each bracket: Ensure the bolts attach the bracket tightly to the rack.



Step 4. Attach Front of Rails: Mount front of rails using RapidRail configuration as shown. The Blue button should be located in the bottom hole (see diagram below).



Hold Front of RapidRail at angle as shown and put hooks through holes. Then lower hooks and turn rail as shown on right.

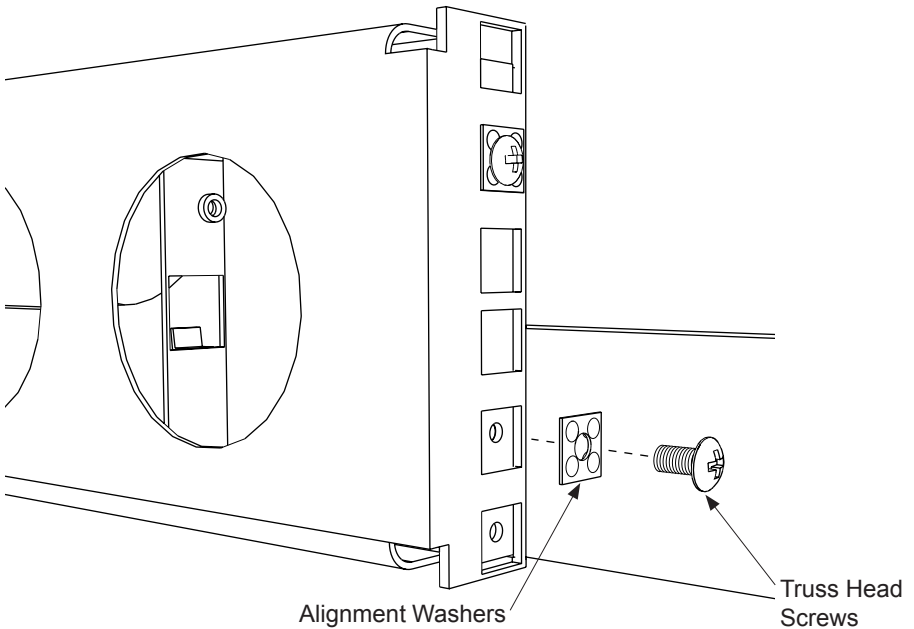


2U Slide with "Blue Button" Here

Installation Instructions

Step 5. Attach Rear of Rail: Mount rear of rails using VersaRail configuration as shown below.

Note: PE 2950 rails can be configured for RapidRail (Hook Connection) or VersaRail (Screw Connection). For installation in the 2POST-2UKIT-2950 rear of rail must be set for VersaRail and front of rail must be set for RapidRail.



Warranty Statement

Innovation First, Inc. warrants our products against defects in material and workmanship for a period of one (1) year from the date of purchase. Innovation First, Inc. liability shall be limited to repairing or replacing, at our option, any defective product.