

RAIL-2900-EARS Contents

Kits Contents:

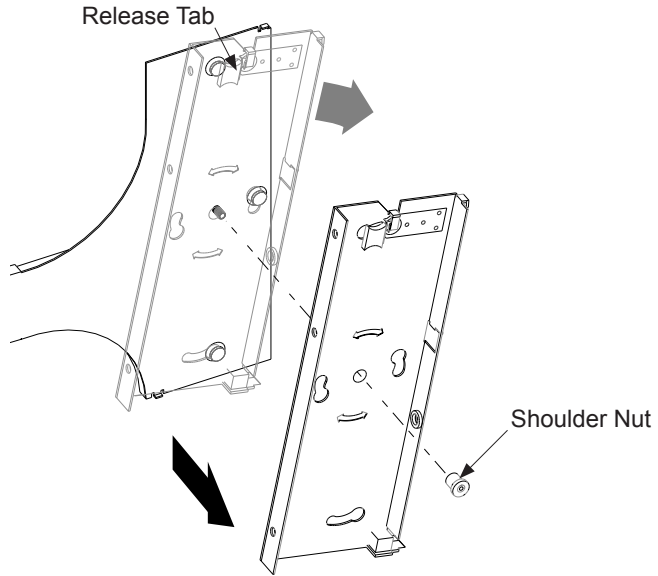
- (1) "FL" Front Left Conversion Bracket
- (1) "FR" Front Right Conversion Bracket
- (1) "RL" Rear Left Conversion Bracket
- (1) "RR" Rear Right Conversion Bracket

Bracket Hardware:

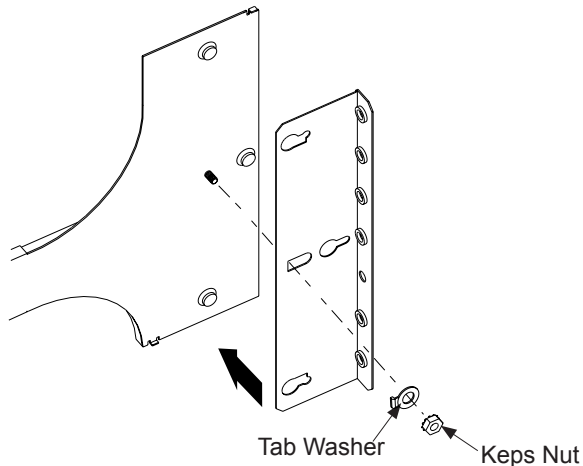
- (5) Tab Washers
- (5) Keps Nuts
- (2) 5U Alignment Bar with PEM (Front)
- (2) 5U Alignment Bar (Rear)
- (23) Screws, 8-32 x .5"

Installation Instructions

Step 1. Remove Versa/Rapid-Rail End Brackets: Unscrew the center Shoulder Nut and while pulling out the blue release tab remove the bracket.



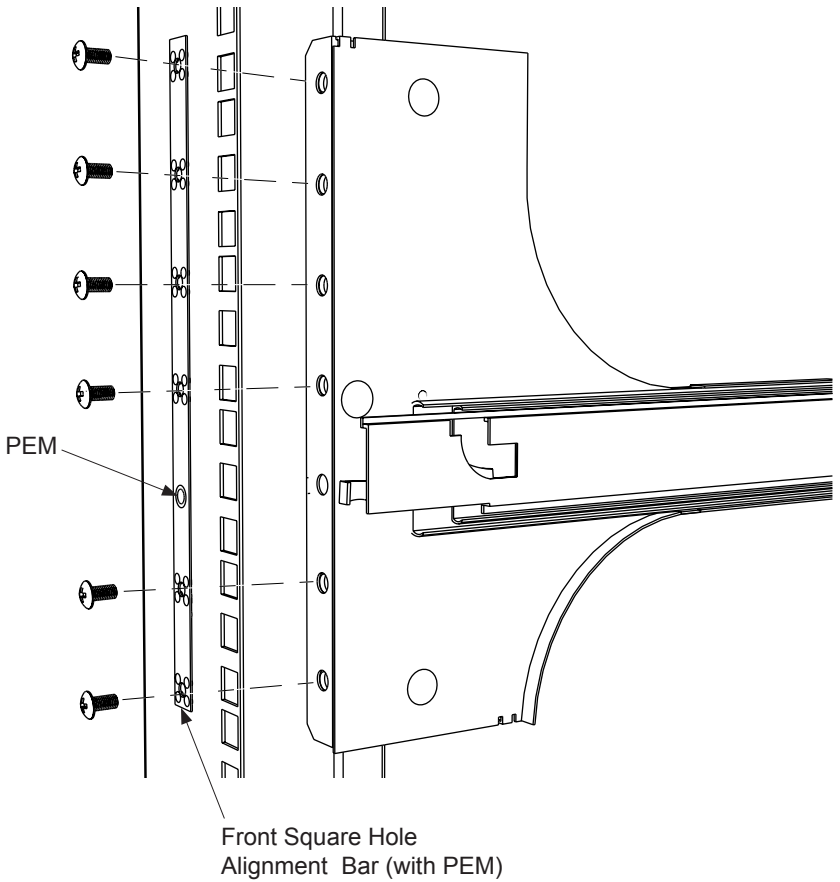
Step 2. Install Conversion Brackets: Install the new bracket on the appropriate Rail End (Brackets are labeled). Install Tab Washer and Keps Nut.



Installation Instructions

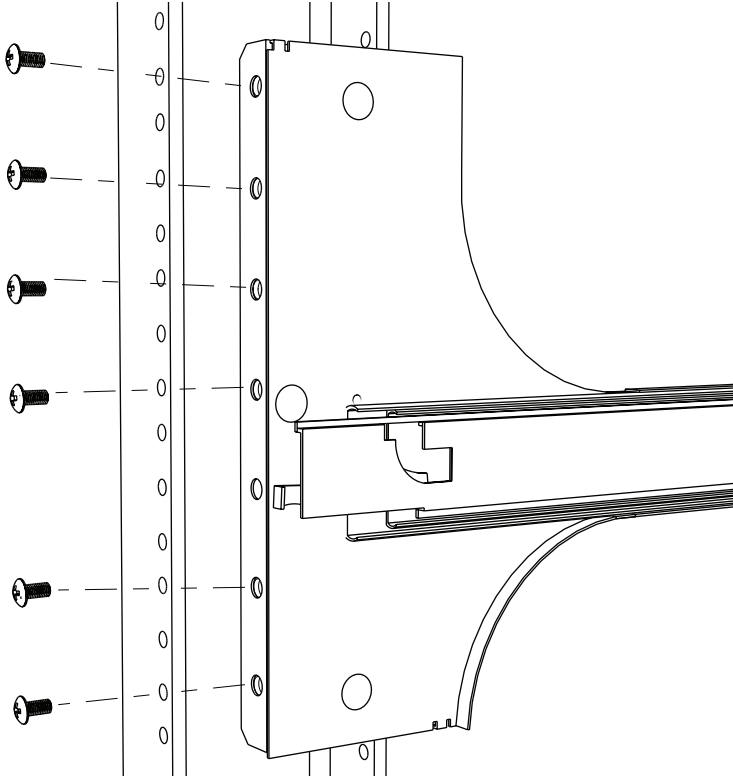
Step 3. Install Rails on Rack: Align the Rail on the appropriate rack unit. The rail must be on the inside surface of the post.

Square Hole: Using the Alignment Plate on the front surface of the post, secure the rail kit with #8 Screws. The Alignment Plate with PEM goes in the front.



Installation Instructions

Round Hole: Secure the rail kit with #8 Screws. **Note: If the holes in your posts are threaded, the #8 screws will not damage the threads.**



Warranty Statement

Innovation First, Inc. warrants our products against defects in material and workmanship for a period of one (1) year from the date of purchase. Innovation First, Inc. liability shall be limited to repairing or replacing, at our option, any defective product.