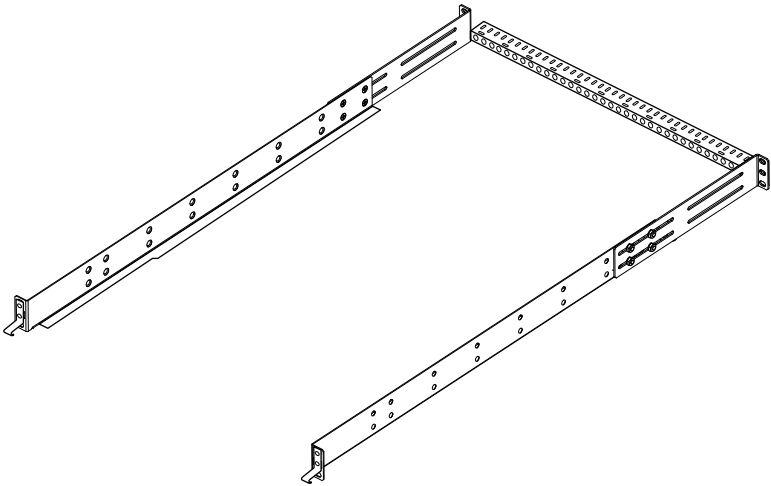


# Fixed Mount for IBM 3550 4Post



Installation Instructions  
Kit P/N: 1UBRK-IBM-3550

# Kit Contents

---

## Assembly Hardware

- (8) 8-32 x .375 Flat Head Screws
- (8) 8-32 Keps Nuts
- (2) Latches

## Rack Hardware

- (8) 12-24 x .500 Pan Head Screws
- (8) 10-32 x .500 Pan Head Screws
- (8) 12-24 Square Nuts
- (8) 12-24 Cage Nuts

# Rack Hardware Kit

---

The Rack Hardware Kit provides various screws and nuts for the four most common types of racks.

Square Hole Racks: Install (2) Cage Nuts on each rack post in the top and bottom holes of the 1U space. Attach with the (larger) 12-24 Screws.

12-24 Threaded Racks: Attach with the (larger) 12-24 Screws. Use (2) screws on each rack post.

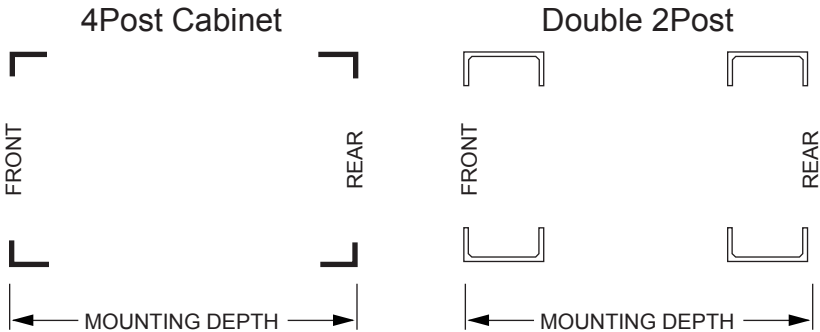
10-32 Threaded Racks: Attach with the (smaller) 10-32 Screws. Use (2) screws on each rack post.

Round Hole Racks (non-threaded): Attach with the (larger) 12-24 Screws and the square nuts. Use (2) screws and (2) nuts on each rack post.

# Installation Instructions

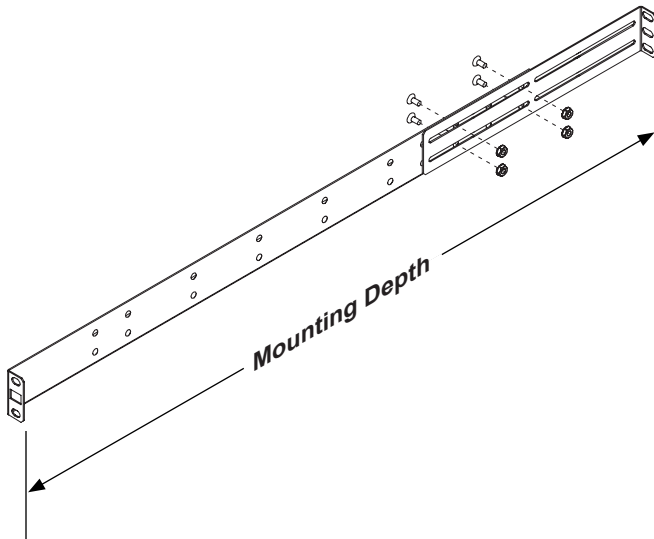
---

**Step 1.** Mounting Depth: Measure the “**Mounting-Depth**” for your rack from the front of the “Front-Mounting-Surface” to the back of the “Back-Mounting-Surface”.

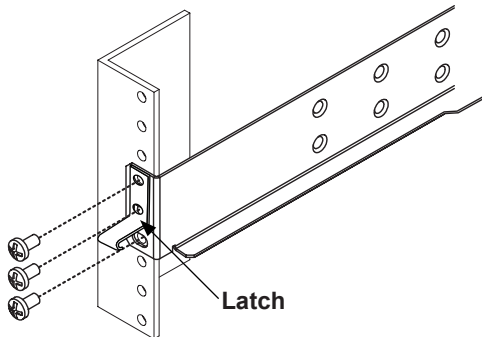


# Installation Instructions

**Step 2 . Rail Assembly:** Attach the Rear Brackets to each Fixed Rail using (4) 8-32 Flat Head Screws and (4) 8-32 Nuts. Always install the (4) screws and nuts as widely spaced as possible.



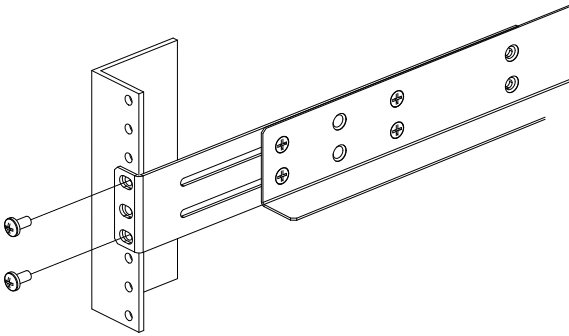
**Step 3. Front Rack Attachment:** Attach the front of each Fixed Rail to the rack using hardware from the Rack Hardware Kit including the Latch.



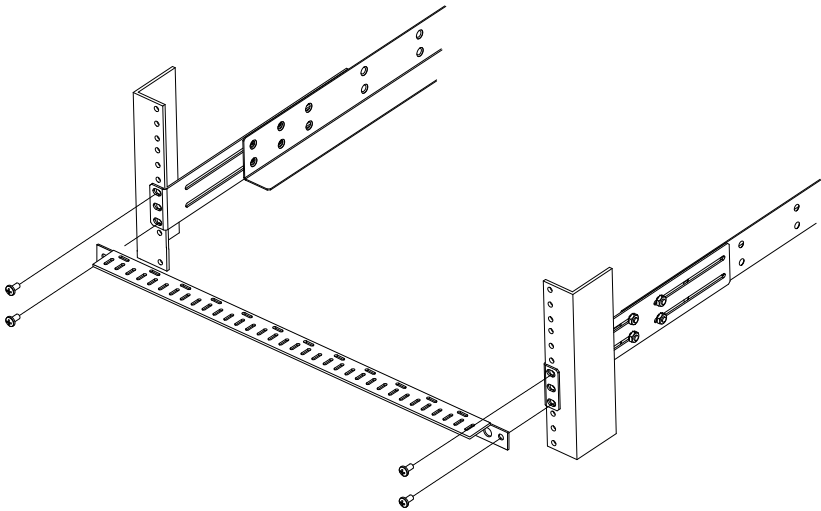
## Installation Instructions

---

- Step 4. Rear Rack Attachment:** Attach the back of each Fixed Rail to the rack using hardware from the Rack Hardware Kit.



- Step 5. Optional Cable Crossbar Attachment:** Attach the Cable Crossbar to the rack. The Cable Crossbar can be co-located with the Fixed Rails (as shown below).



### Warranty Statement

Innovation First, Inc. warrants our products against defects in material and workmanship for a period of one (1) year from the date of purchase. Innovation First, Inc. liability shall be limited to repairing or replacing, at our option, any defective product.