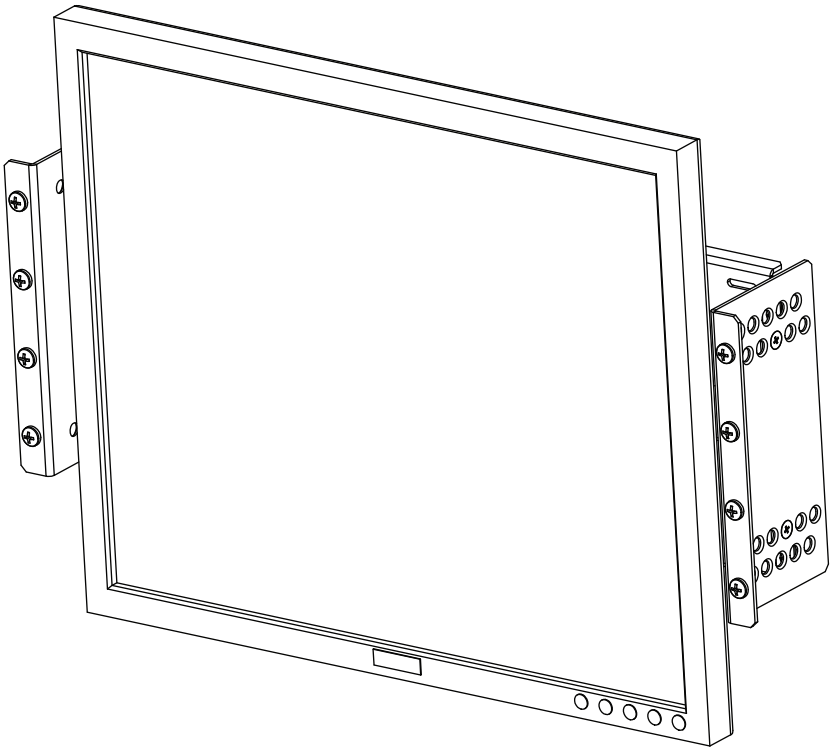


Rack Mount for Flat Panel Monitor



Installation Instructions
Kit P/N: MON-BRK-163

Kit Contents

Assembly Components:

- (1) Mounting Bracket
- (2) Angle Brackets

Monitor Hardware Package:

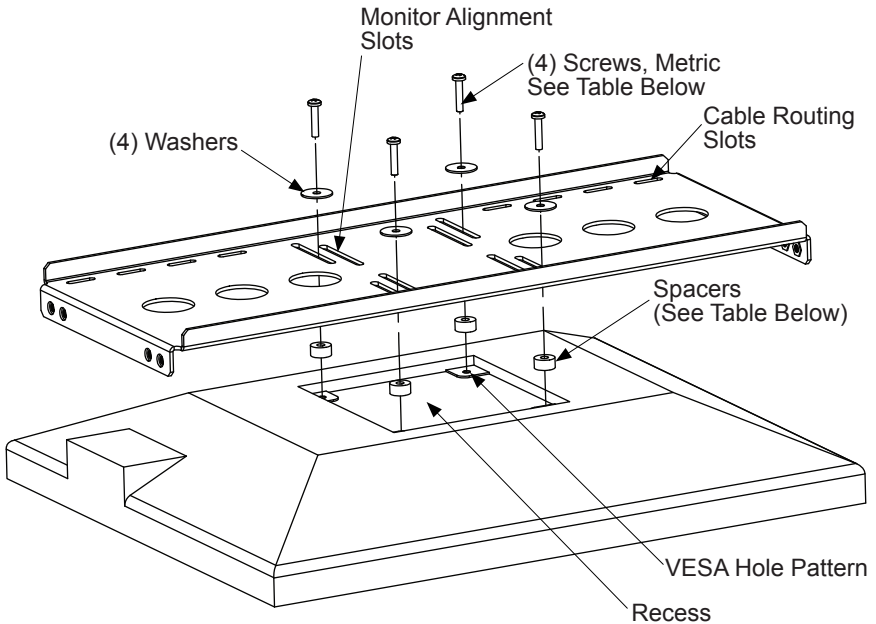
- (8) Nylon Spacers
- (5) M4 x 10mm Pan Head Screws
- (5) M4 x 18mm Pan Head Screws
- (5) M4 x 25mm Pan Head Screws
- (5) 10-32 Flat Head Screws
- (5) Flat Washers

Rack Hardware:

- (8) 12-24 Nuts
- (8) 10-32 Pan Head Screws
- (8) 12-24 Pan Head Screws
- (8) 12-24 Cage Nuts "Black"

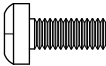




Installation Instructions

- Step 1. VESA Monitor Bracket Attachment:** Turn the monitor face down on a large flat surface. Locate the four VESA mounting holes on the rear of the monitor.
- a. Determine if spacers are required: Some monitors have a "recess" on the rear of the monitor. Spacers are provided to fill this gap. See Table A for spacer length options.
 - b. Determine Screw Length: Only use the metric M4 screws provided. Screw length is determined by the spacers used (see Table A).



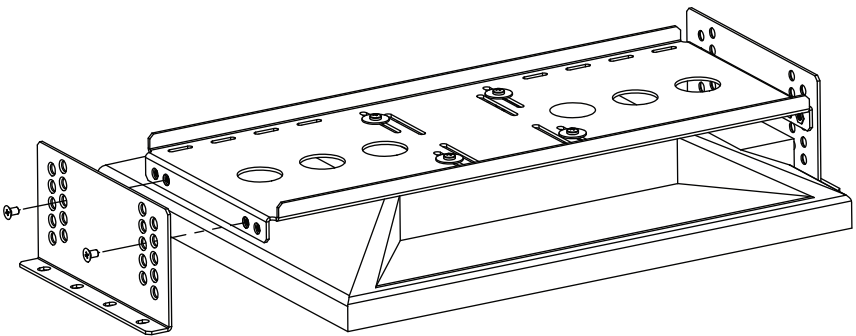
Installation Instructions

Table A

Recess Depth	Spacer	Screw
0	No Spacer Needed	 10mm
.250 (1/4)		 18mm
.500 (1/2)		 25mm

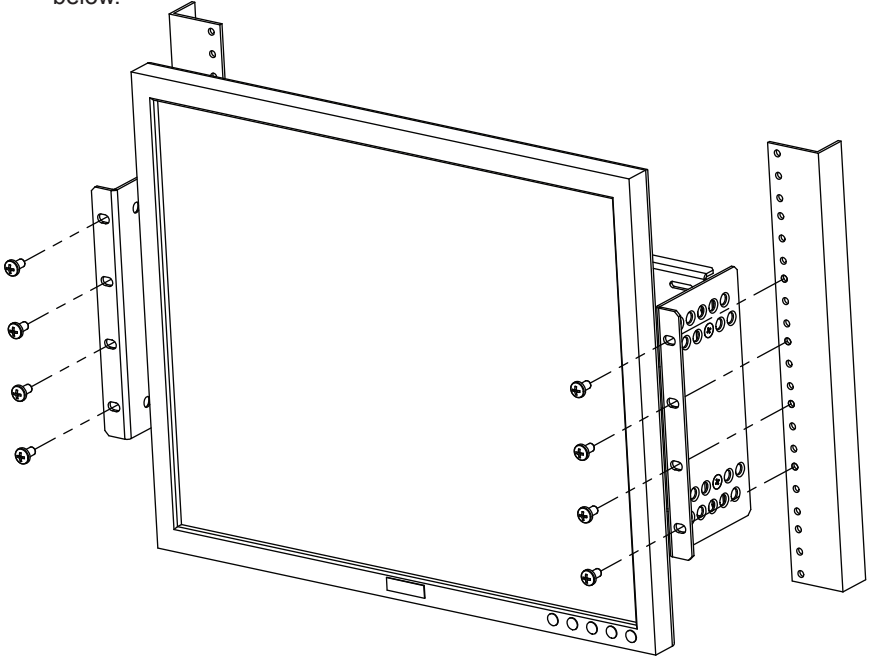
Screws and Spacers are Shown to Scale

Step 2. Bracket Attachment: Attach the Brackets at the desired depth using (4x) 10-32 Flat Head Screws. (see below)



Installation Instructions

Step 3. Rack Mounting: Attach the Monitor and Mounting Bracket Assembly from Steps 1 & 2 to the Rack, using (8) of the appropriate Rack Mounting hardware (see below).



Rack Mount Hardware

The Rack Hardware Kit provides various screws and nuts for the four most common types of racks.

Square Hole Racks: Install Cage Nuts in appropriate positions. Attach with the larger 12-24 Screws.

12-24 Threaded Racks: Attach with the larger 12-24 Screws.

10-32 Threaded Racks: Attach with the smaller 10-32 Screws.

Round Hole Racks: (non-threaded) Attach with the larger 12-24 Screws and the square nuts.

Warranty Statement

Innovation First, Inc. warrants our products against defects in material and workmanship for a period of one (1) year from the date of purchase. Innovation First, Inc. liability shall be limited to repairing or replacing, at our option, any defective product.