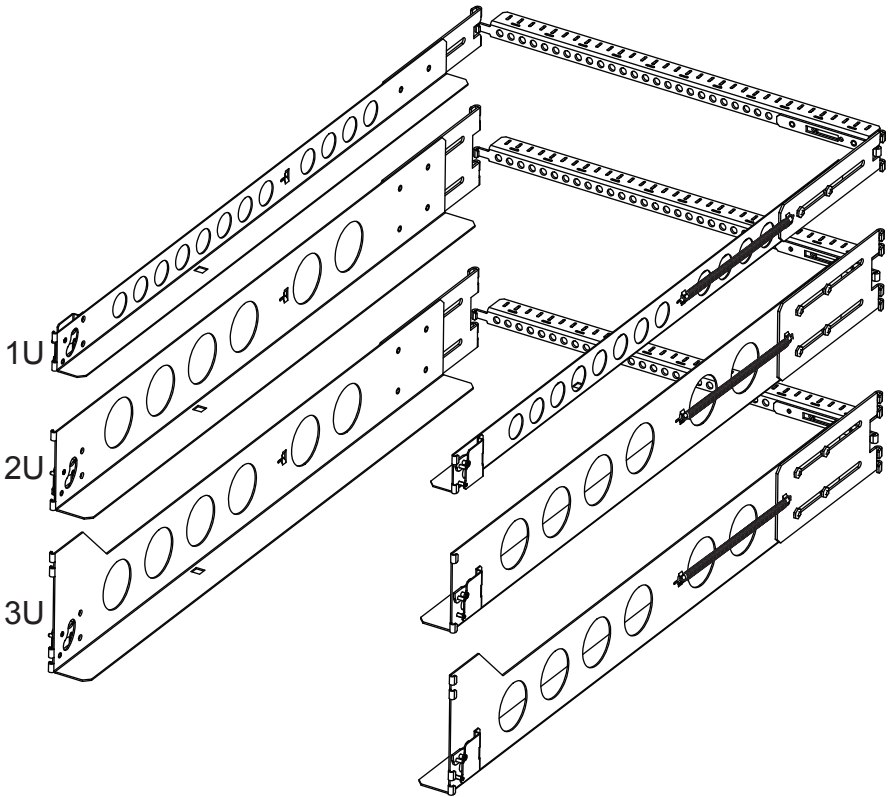


Tool-Less Fixed Rails for 19" 4Post Square Hole Racks



Installation Instructions

Kit P/N: 1UKIT-109QR

Kit P/N: 2UKIT-109QR

Kit P/N: 3UKIT-109QR

Kit Contents

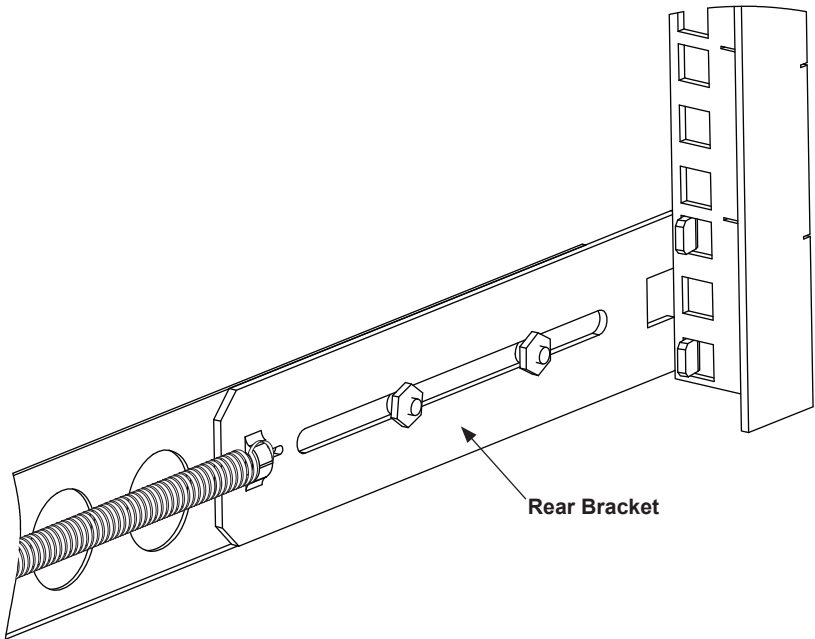
Assembly Components:

- (1) Left Fixed Rail
- (1) Right Fixed Rail
- (1) Cable Crossbar
- (1) 30" Velcro Cable Tie

Model	Max Weight	Max Equipment Width	Min Equipment Width	Rack Depth Range
1UKIT-109	45	17 5/8"	16 5/8"	28"-30"
2UKIT-109	75	17 5/8"	16 3/8"	28"-30"
3UKIT-109	200	17 5/8"	16 1/4"	28"-30"

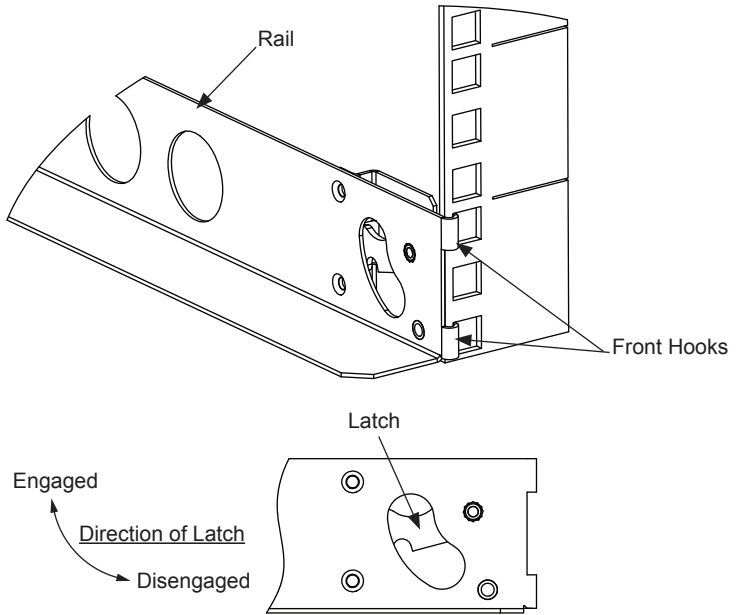
Installation Instructions

Step 1. Rear Rack Attachment: Attach by hooking the **Rear Bracket** into the square holes of the rack.

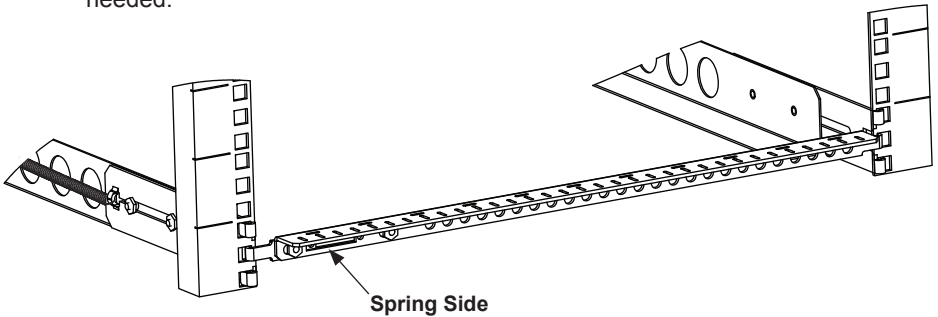


Installation Instructions

Step 2. Front Rack Attachment: Disengage the Latch and insert the front hook into the square holes of the rack. Release the Latch which will secure the Rail in place.



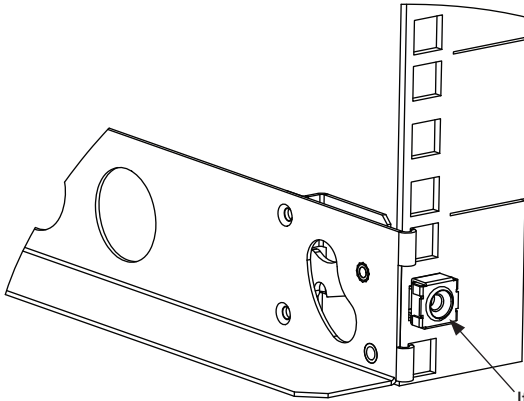
Step 3. Cable Crossbar Attachment: Insert the hook located on the **Spring Side** into the square hole of the rack. Insert the opposite side hook into the square hole of the rack. The Cable Crossbar can be installed in other orientations and locations as needed.



Thumb Screw Support (Optional)

Some equipment has Thumb Screws on the right and left side of the front face plate. These Thumb Screws are use to secure the equipment in the rack.

Thumb Screws Threads: Generic Equipment: Use the "Black" 12-24 Cage Nuts
Dell Equipment: Use the "Silver" 10-32 Cage Nuts
HP Equipment: Use the "Gold" M6 Cage Nuts



If Short Thumb Screws: Install Cage Nut "Backwards" in the front rail flange.

Warranty Statement

Innovation First, Inc. warrants our products against defects in material and workmanship for a period of one (1) year from the date of purchase. Innovation First, Inc. liability shall be limited to repairing or replacing, at our option, any defective product.