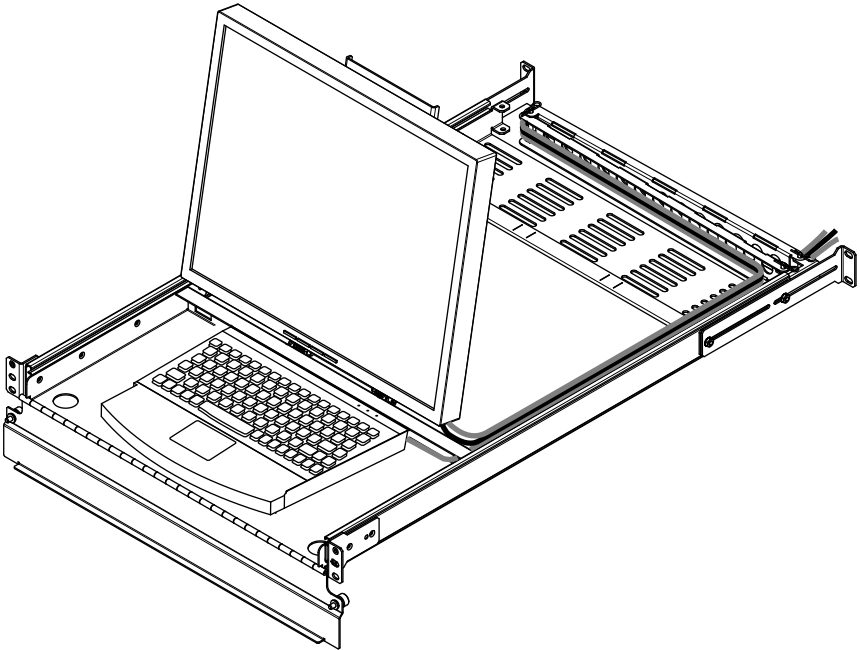


Rack Mount Monitor Tray with Keyboard with Dell 19" LCD (19V)



Installation Instructions

Kit P/N: 2UKVM-125-USB-4-19V

Kit P/N: 2UKVM-125-PS2-4-19V

Kit Contents

- (1) Partially Assembled Shelf w/Door
- (2) Rear Brackets
- (1) Cable Management Bracket
- (1) Dell 19" LCD (Shipped Separately)

Rack Mount Hardware x8 Bag:

- (8) 12-24 x 1/2" Pan Head Screws Zinc
- (8) 10-32 x 1/2" Pan Head Screws
- (8) 12-24 Cage Nuts
- (8) 12-24 Square Nuts

Rear Hardware Bag:

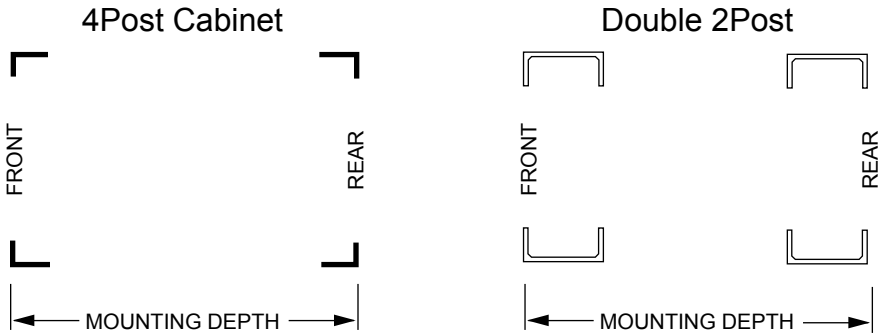
- (4) 8-32 x 3/8" Pan Head Screws
- (4) 8-32 Nuts

19V Monitor Hardware Bag:

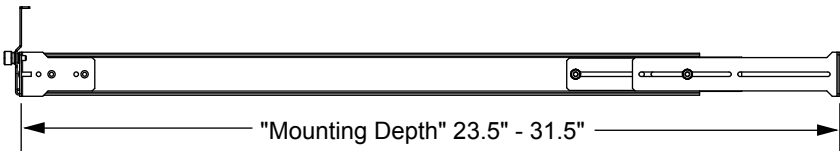
- (4) 1/4" White Nylon Spacers
- (4) Pan Head Screws M4x12mm

Installation Instructions (4 Post)

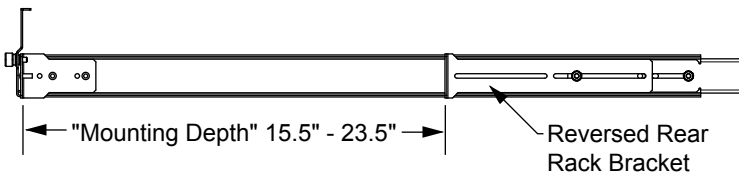
Step 1. Mounting Depth: Measure the "Mounting-Depth" for your rack from the front of the "Front-Mounting-Surface" to the back of the "Back-Mounting-Surface".



Step 2. 23.5" to 31.5": The Rear Rack Brackets will be installed as shown below for this "Mounting Depth" range (See Step 4 for assembly).



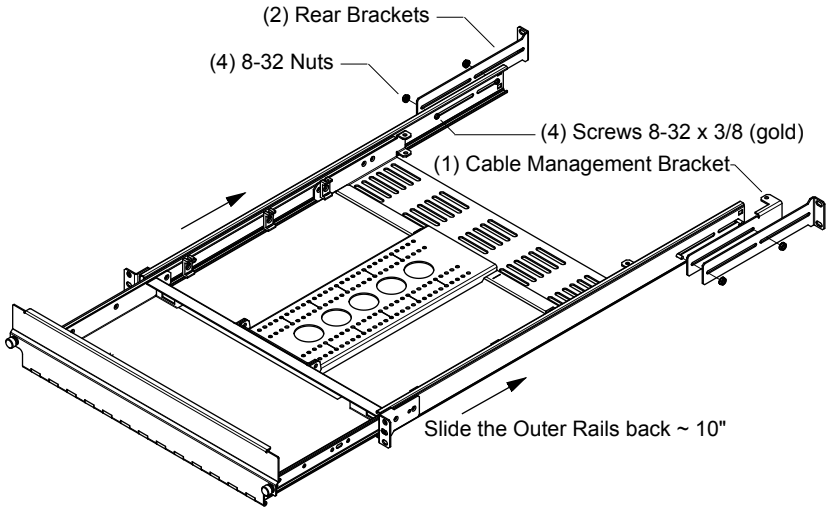
Step 3. 15.5" to 23.5: The Rear Rack Brackets will be installed as shown below for this "Mounting Depth" range (See Step 4 for assembly).



Installation Instructions

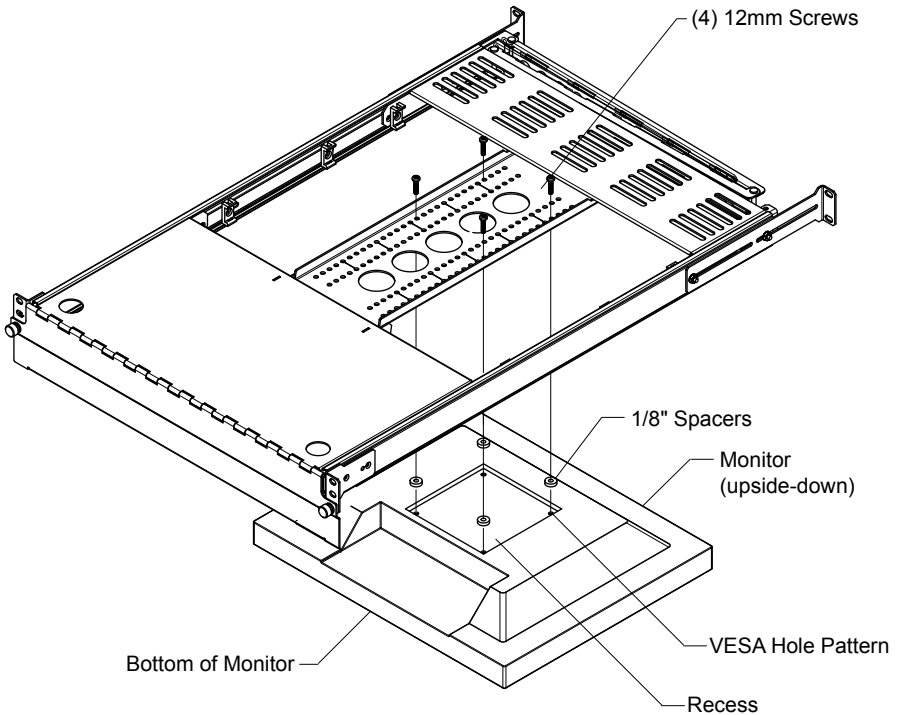
Step 4. Rear Bracket Attachment: Move the slide rails back approximately 10 inches. You may need to loosen the thumb screws to do this.

Attach the Rear Rack Brackets and the Cable Arm Extension as shown below. Attach using (4) 8-32 x 3/8" Pan Head Screws and (4) 8-32 Nuts. The screws should be located in the slots as far apart from one another as possible (see below). Tighten all screws.



Installation Instructions

Step 5. Monitor Attachment: Turn the monitor face down on a large flat surface. Locate the four VESA mounting holes on the rear of the monitor. Attach the monitor to the pivot using the hardware shown. The preferred hole locations are marked on the pivot.



Step 6. Attach to Rack: Install the shelf using hardware from the Hardware Mounting Kit (included). Hardware is included for all four rack hole types: threaded 12-24 holes, and threaded 10-32 holes, square holes, round holes.

Threaded 12-24 racks use the 12-24 screws.

Threaded 10-32 racks use the 10-32 screws.

Round hole racks use the 12-24 screws and 12-24 square nuts.

Square hole racks use the black 12-24 cage nuts and 12-24 screws.

Warranty Statement

Innovation First, Inc. warrants our products against defects in material and workmanship for a period of one (1) year from the date of purchase. Innovation First, Inc. liability shall be limited to repairing or replacing, at our option, any defective product.