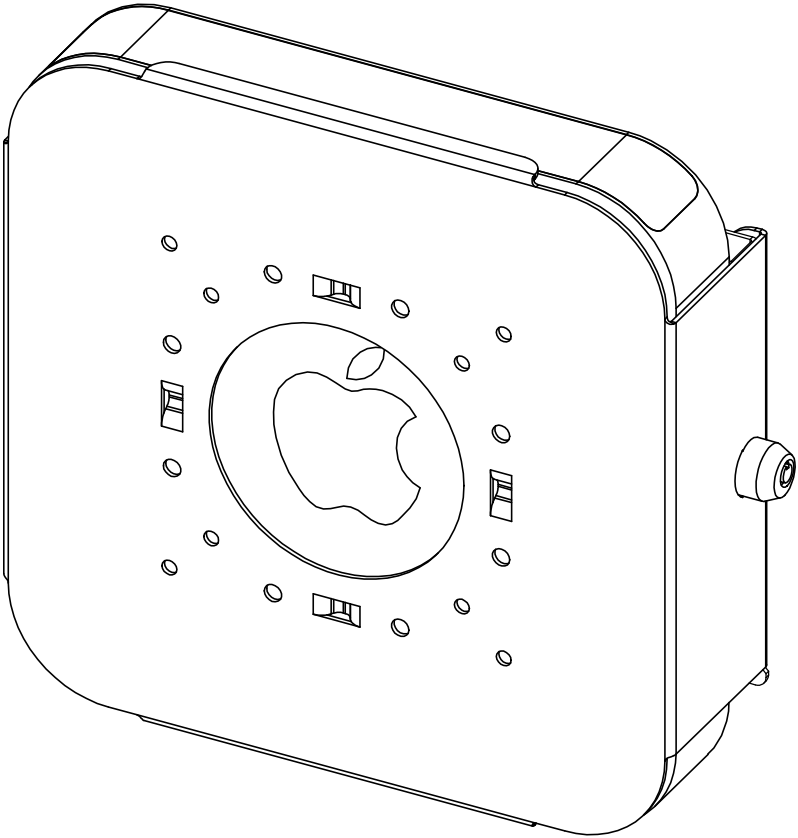


# Mac Mini Mount



Installation Instructions

Kit P/N: 104-5441

# Kit Contents

---

## Kit Contents:

- (1) Main Bracket
- (1) Rear Bracket
- (1) Lock & Key

## Mounting Hardware:

- (4) Drywall Anchors
- (4) 8-32 x 1.250 Pan Head Screws

## Fixed Monitor Mount Hardware Package:

- (8) Spacers
- (4) M4 x 0.7 x 10mm Pan Head Screws
- (4) M4 x 0.7 x 18mm Pan Head Screws
- (4) M4 x 0.7 x 25mm Pan Head Screws

# Installation Instructions

---

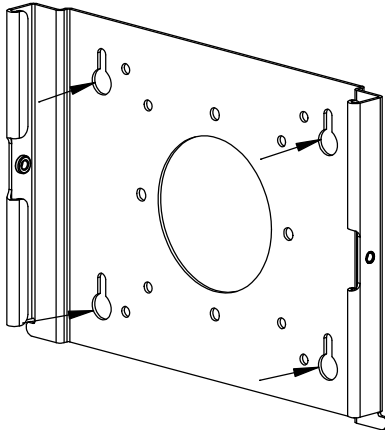
**Step 1** Determine Location: Select appropriate installation method. Consider cable routing and length:

- A. Wall Mount: (see Steps 2-4)
- B. VESA Mount: (see Step 6)

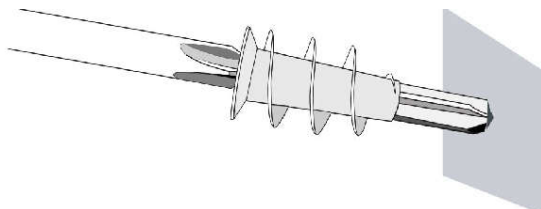
## Wall Mount Installation Instructions

---

**Step 2** Mark Hole Positions: Hold the Rear Bracket in Position and mark 4 hole locations with a pencil..

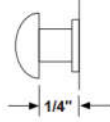


**Step 3a** Install Drywall Anchor: Install one drywall anchor at each hole mark. Using a #2 Phillips Head Screwdriver, press the anchor into the drywall while turning clockwise until it is seated flush with the wall.

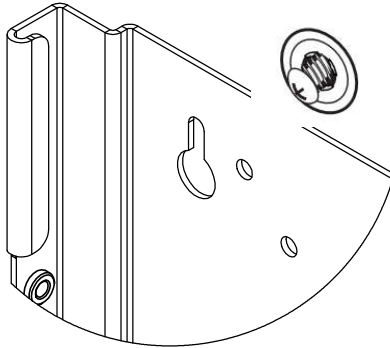


## Wall Mount Installation Instructions

**Step 3b** Install 4 Screws: Install 1.250" Pan Head Screws to be inserted on top of anchor. Leave approximately 1/4" of each screw protruding out of the wall.

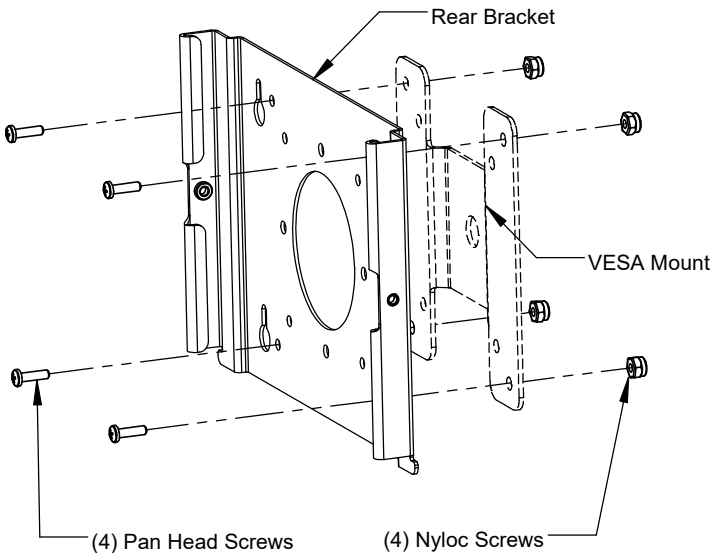


**Step 4** Attach Mount Bracket: Attach the mount to the wall using the 4 screws that were installed in previous step. Secure by tightening screws.



## VESA Mount Installation Instructions

**Step 6** Attach VESA Mount to Rear Bracket: Attach the Rear Bracket to the VESA Mount using (4) 6-32 x .500 Pan Head Screws and (4) Nyloc Nuts.






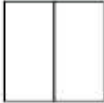

# Monitor Installation Instructions

---

**NOTE:** If using Tilt Monitor Bracket skip steps 7 & 8.  
 (Tilt Monitor Sold Separately at RackSolutions.com)

- Step 7** Choosing spacers/screws size: Turn the monitor face down on a large flat surface. Locate the four VESA mounting holes on the rear of the monitor.
- A. Determine if spacers are required. Some monitors have a "recess" on the rear surface. Spacers are provided to fill this gap. See Table A for spacer length options.
  - B. Determine Screw Length: Only use the metric M4 screws provided. Screw length is determined by the spacers used (see Table A.)

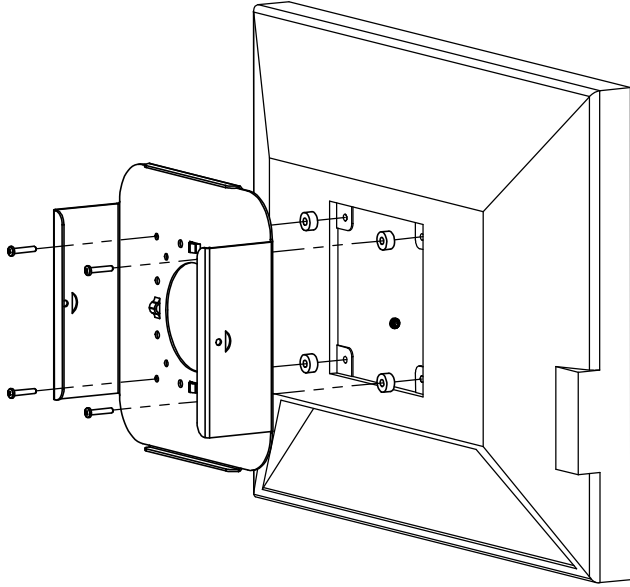
**Table A**

Recess Depth	Spacer	Screw
0	No Spacer Needed	 10mm
.250 (1/4)		 18mm
.500 (1/2)		 25mm

---

## Monitor Installation Instructions

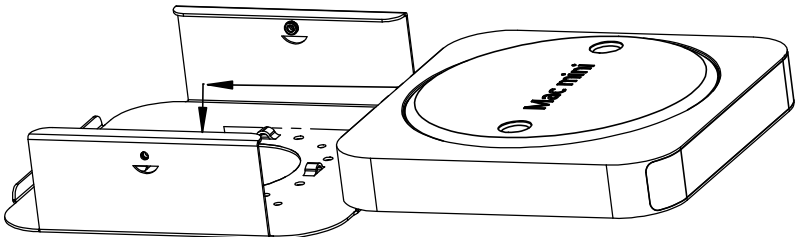
- Step 8** Fixed Monitor Mount Attachment: Locate the outer holes (refer to the picture below) on the Mount Bracket and align with the appropriate screws (see Step 9 & Table A). Install the screws to the rear of the Monitor. Use spacers if necessary.



---

## Computer Installation Instructions

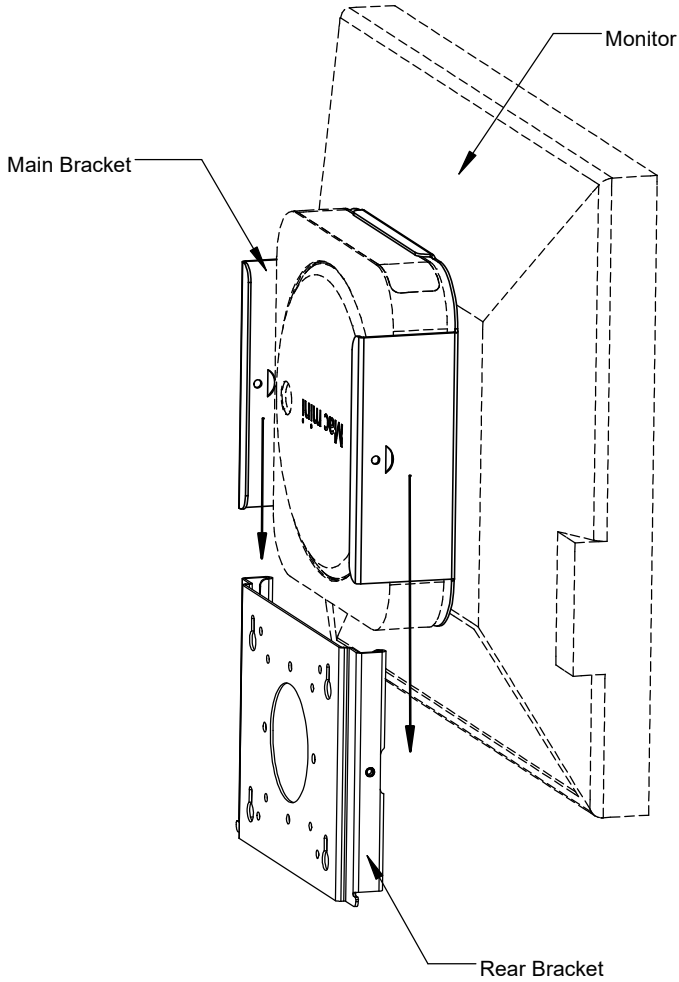
- Step 9** Computer Attachment: Slide the Computer into the Main Bracket from the back opening.



# Computer Installation Instructions

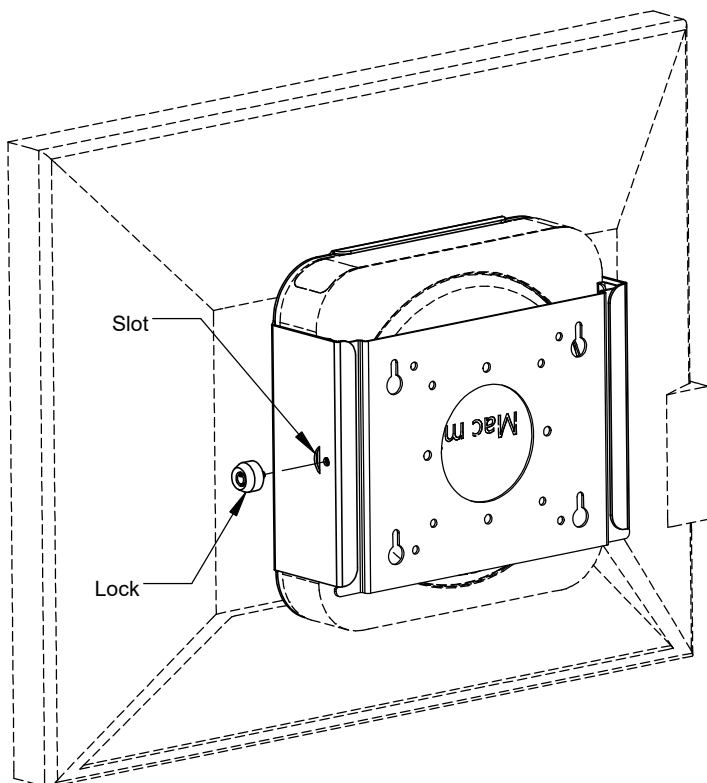
---

**Step 10** Attach Main Bracket to Rear Bracket: Slide the Main Bracket with the Mac Mini, over the Rear Bracket.



# Computer Installation Instructions

- Step 11** Lock Mount: Install Lock by screwing into the Main Bracket as shown below. Align the protrusion on the Lock with the slot in the Main Bracket then tighten completely with the key.



**Warranty Statement**

Innovation First, Inc. warrants our products against defects in material and workmanship for a period of one (1) year from the date of purchase. Innovation First, Inc. liability shall be limited to repairing or replacing, at our option, any defective product.