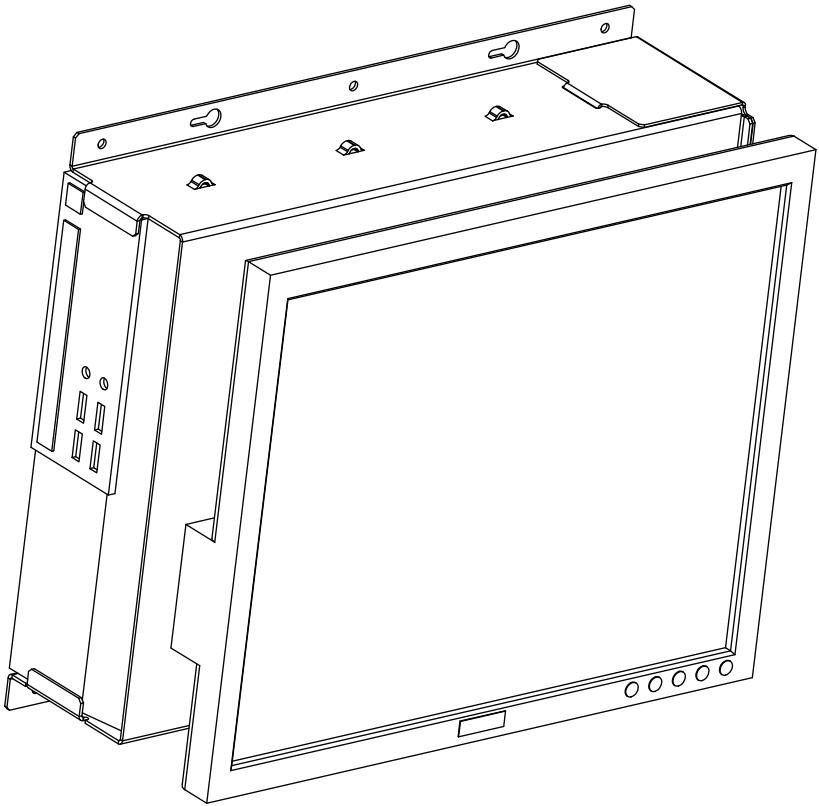


HP SFF and Monitor Wall Mount



Installation Instructions

Kit P/N: 104-5545

Kit Contents

Assembly Components:

- (1) Main Bracket
- (1) Cover

Wall Mount Hardware Package:

- (4) Pan Head Screw
- (4) Anchors

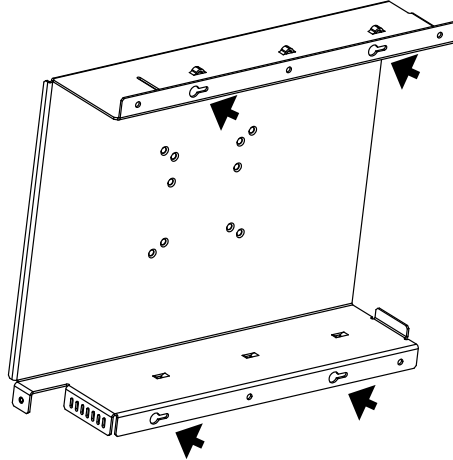
Monitor Hardware Package:

- (8) Nylon Spacers
- (5) M4 x 10mm Flat Head Screws
- (5) M4 x 18mm Flat Head Screws
- (5) M4 x 25mm Flat Head Screws

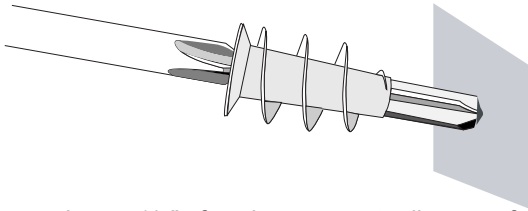
PC Wall Mount Installation Instructions

Step 1. Determine Location: Select an appropriate location on the wall. Consider cable routing and length.

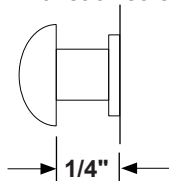
Step 2. Mark Hole Positions: Hold the base in position and mark 4 hole positions with a pencil.



Step 3a. Install Drywall Anchor: Install one drywall anchor at each hole mark. Using a #2 Phillips head screwdriver press the anchor into the drywall while turning clockwise until it is seated flush with the wall.



Step 3b. Install 4 Screws: Leave 1/4" of each screw protruding out of the wall.



Installation Instructions

- Step 4. Monitor Attachment:** Turn the monitor face down on a large flat surface. Locate the four VESA mounting holes on the rear of the monitor.
- Determine if spacers are required:** Some monitors have a "recess" on the rear surface. Spacers are provided to fill this gap. See Table A for spacer length options.
 - Determine Screw Length:** Only use the metric M4 screws provided. Screw length is determined by the spacers used (see Table A).

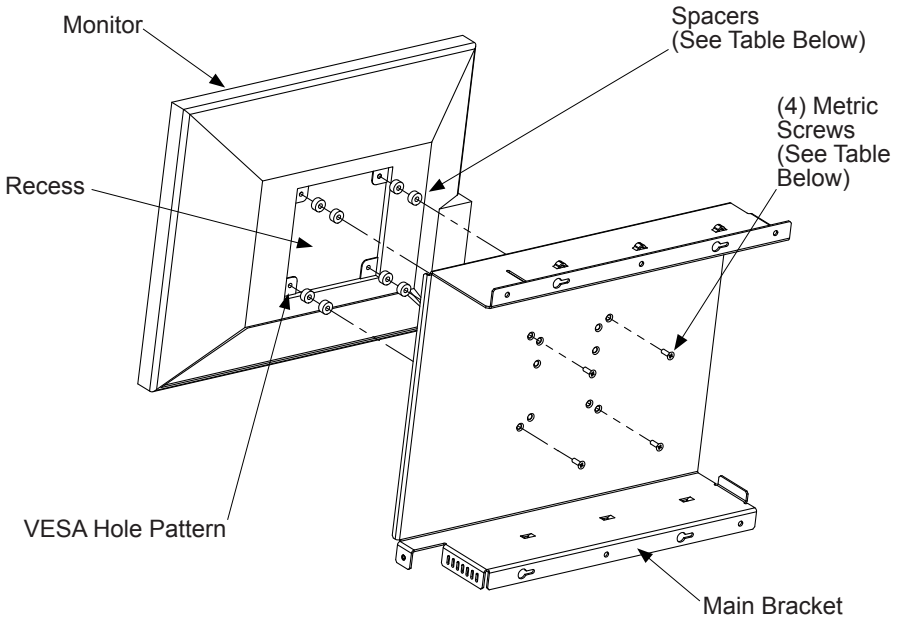



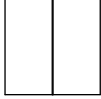



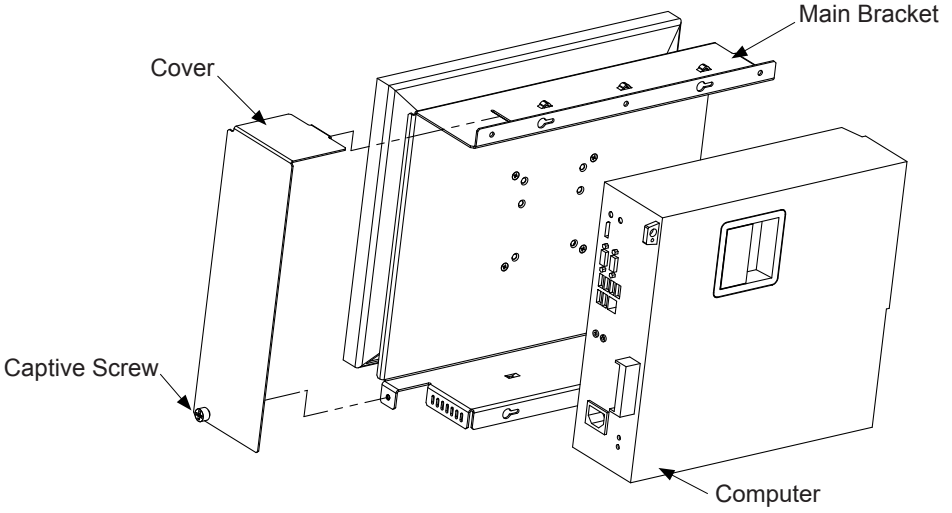
Table A

Recess Depth	Spacer	Screw
0	No Spacer Needed	10mm 
.250 (1/4)		18mm 
.500 (1/2)		25mm 

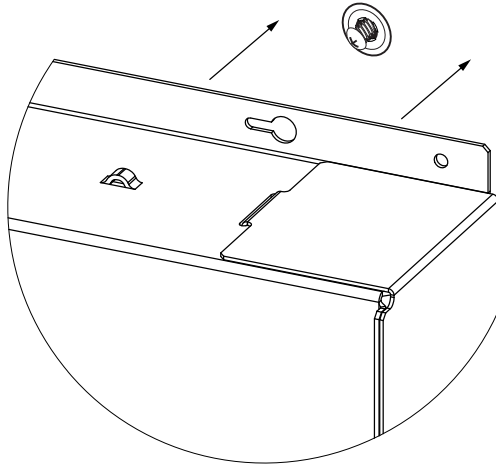
Screws and Spacers are Shown to Scale

Installation Instructions

Step 5. Computer and Cover Attachment: Slide the computer into the Main Bracket.



Step 6. Attach Mount Base: Attach the base to the wall using the 4 screws that were installed in 3b. Tighten Securely.



Warranty Statement

Innovation First, Inc. warrants our products against defects in material and workmanship for a period of one (1) year from the date of purchase. Innovation First, Inc. liability shall be limited to repairing or replacing, at our option, any defective product.