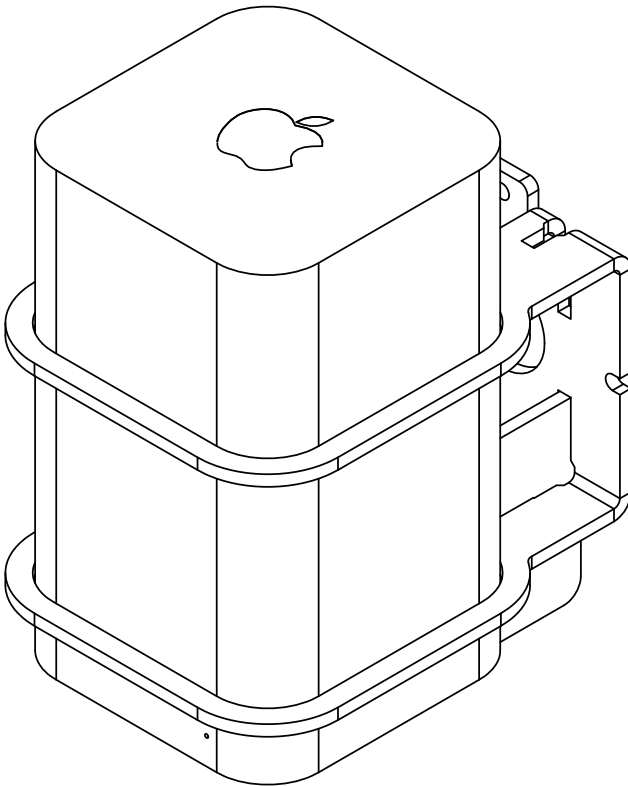


Apple Airport Extreme Wall Mount



Installation Instructions

Kit P/N: 104-5191

Kit Contents

Kit Contents:

- (1) Wall Bracket
- (2) Support Bracket

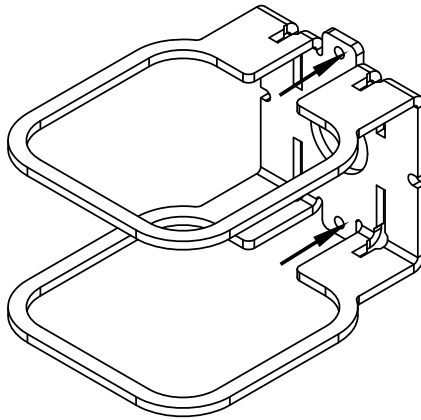
Mounting Hardware:

- (2) Pan Head Screw
- (2) Drywall Anchor

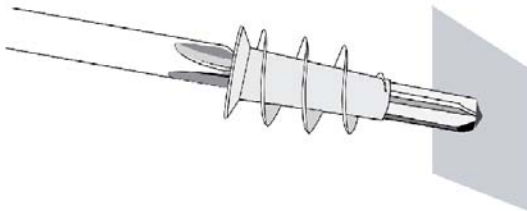
Wall Mount Installation Instructions

Step 1 Determine Location: Select appropriate location on wall. Consider cable routing and length.

Step 2 Mark Hole Position: Hold Wall Bracket in position and mark 2 hole positions with pencil.

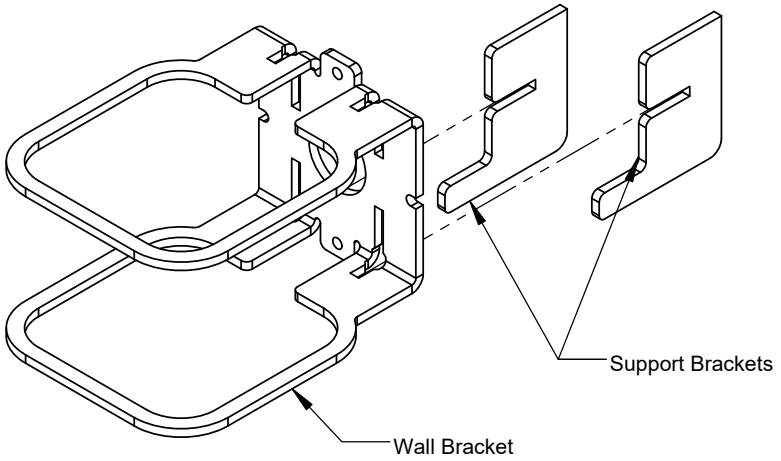


Step 3 Install Drywall Anchor: Install one drywall anchor at each hole mark. Using a #2 Phillips head screwdriver press the anchor into the drywall while turning clockwise until it is seated flush with the wall.

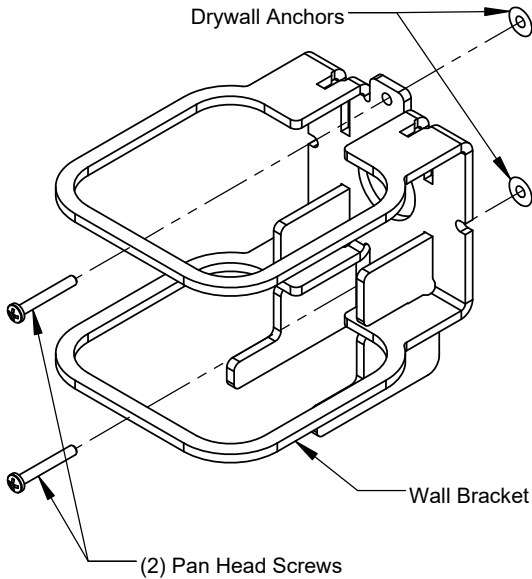


Installation Instructions

Step 4 Install Support Brackets: Insert the Support Brackets into the Wall Bracket as shown.

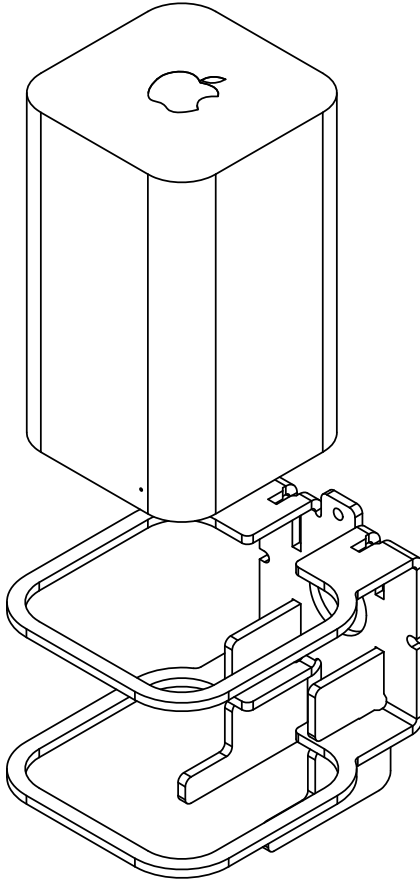


Step 5 Attach to Wall: Attach the Wall Bracket to the wall using 2 Pan Head Screws and Drywall Anchors installed in Step 3 as shown.



Installation Instructions

- Step 6** Install Equipment: Insert the Apple Airport Extreme into the Wallmount bracket as shown.



Warranty Statement

Innovation First, Inc. warrants our products against defects in material and workmanship for a period of one (1) year from the date of purchase. Innovation First, Inc. liability shall be limited to repairing or replacing, at our option, any defective product.