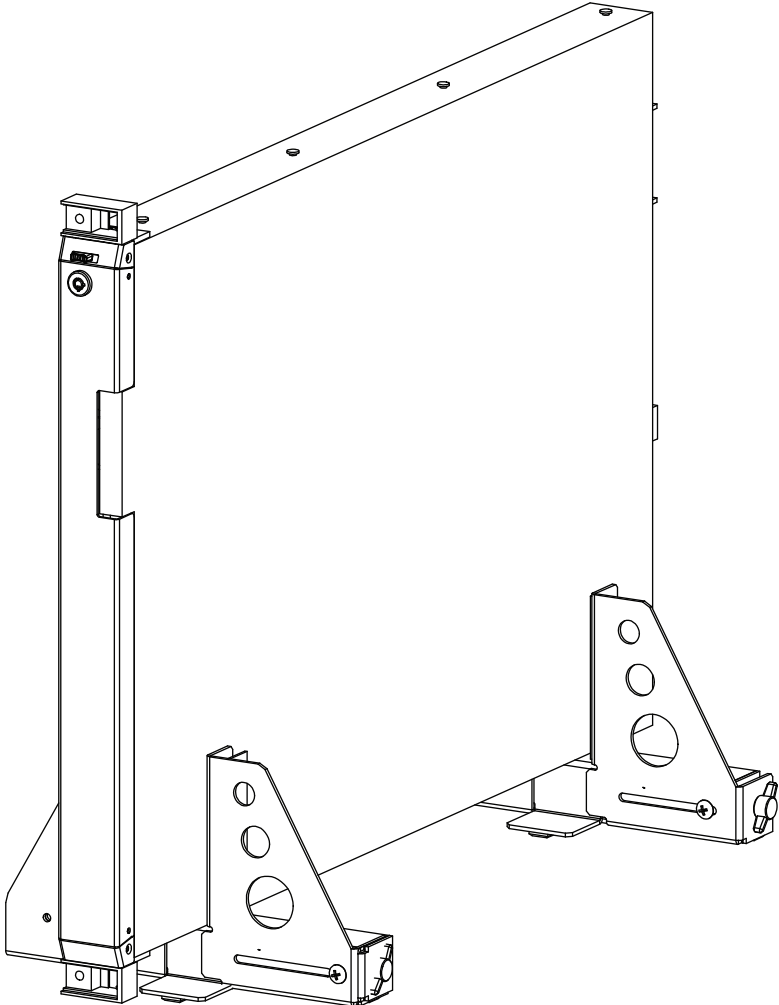


Rack-to-Tower Conversion Kit for 1U and 2U Servers



Installation Instructions
Kit P/N: 118-1619

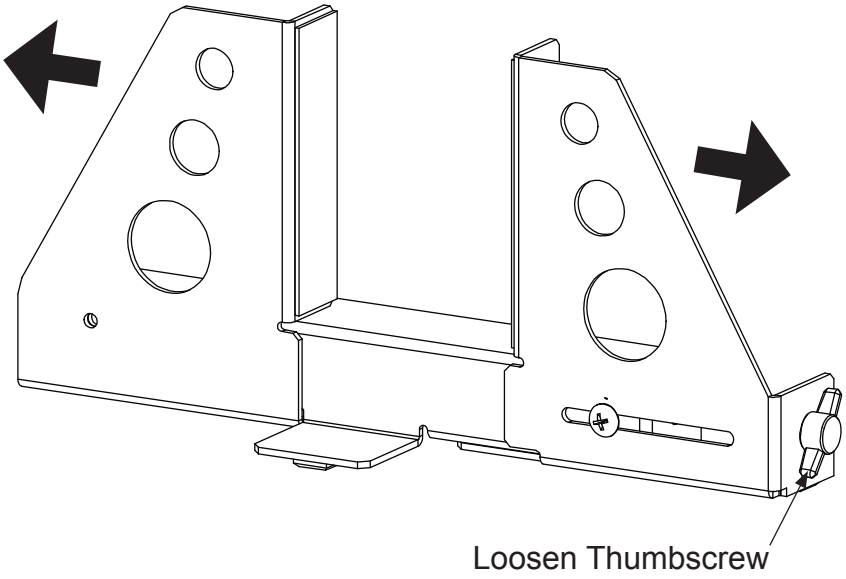
Kit Contents

Assembly Components:

(2) Stand Assemblies

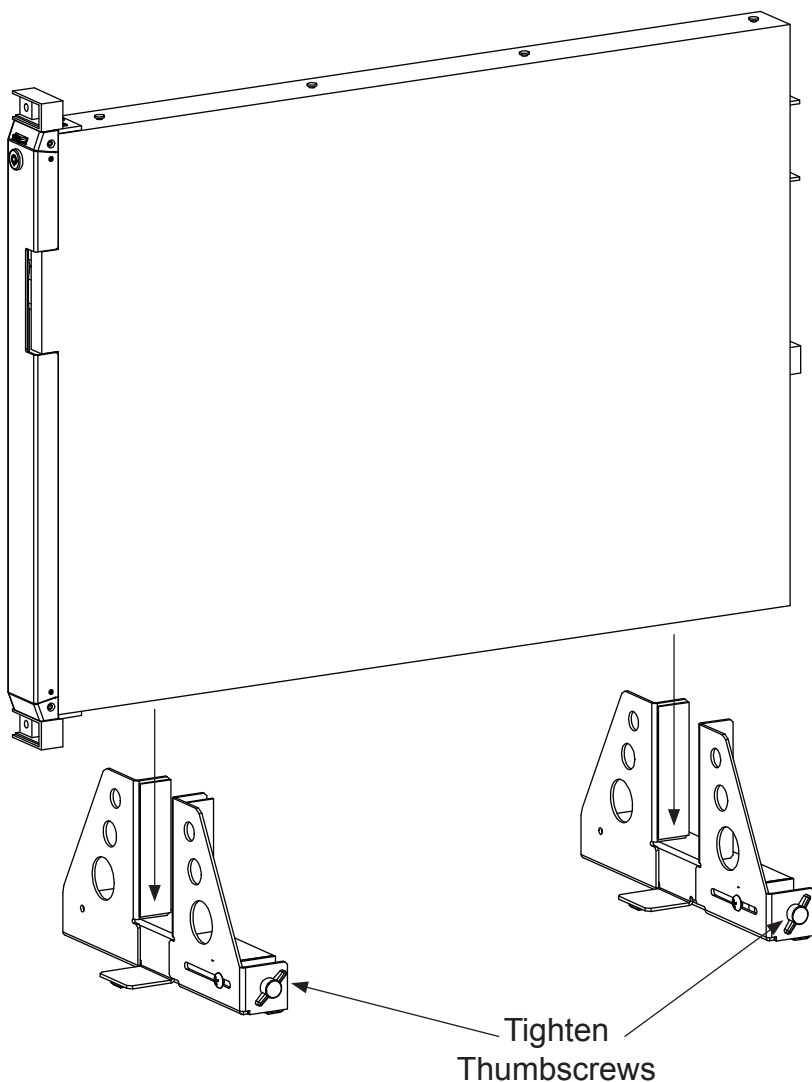
Installation Instructions

Step 1. Stand Assembly Adjustment: Loosen thumbscrew, and open stand wide enough to fit the server.



Installation Instructions

Step 2. Equipment Installation: Space Stand Assemblies as wide as possible to ensure stability. Foam pads should be touching a solid flat area of the server chassis. Thumbscrews on each Stand Assembly should face the same direction. Tighten thumbscrews until brackets are securely fastened to the server.



Installation Instructions

Note: The Stand Assemblies are not designed to be slid across a surface. Attempting to slide this product with a chassis installed could result in the equipment falling over.

Warranty Statement

Innovation First, Inc. warrants our products against defects in material and workmanship for a period of one (1) year from the date of purchase. Innovation First, Inc. liability shall be limited to repairing or replacing, at our option, any defective product.